

» FS-5965 «



FS-5965 3/4 Short 8-slot ATR Conduction Cooled Chassis

- » 3/4-short ATR chassis suitable for MIL-STD-5400 Class 1 environments
- » Provides 8-slots for conduction cooled circuit cards per IEEE 1101.2, 0.8" pitch
- » Mounts on 3/4-short ATR shock tray conforming to ARINC 404A™
- » Meets MIL-STD-5400 Class 1 thermal performance for 170 watt power dissipation with 35CFM

FS-5965

3/4 Short 8-slot ATR Conduction Cooled Chassis

The Kontron FS-5965 is a 3/4-short ATR forced-air conduction cooled chassis designed for use in military applications. Specifically, the FS-5965 chassis meets the environmental requirements of MIL-E-5400 for Class 1 equipment and will withstand extremes of temperature, vibration, shock, salt spray, sand and chemical exposure while maintaining a sealed environment.

Mounting & Cooling

The FS-5965 chassis has 3/4-short ATR outline and mounting dimensions. It can be hard-mounted, or mounted on a shock isolated tray with attachments conforming to ARINC 404A™.

The FS-5965 chassis provides a secure enclosure for conduction cooled circuit cards. The heat from the chassis internal system components is conducted to the end-wall heat exchangers, where it is dissipated to the ambient environment by forced-air cooling. The FS-5965 chassis is available with an integral AC or DC, or with an air-plenum to use with an external forced air supply.

Technical Information

Physical Dimensions

Height	7.620"
Length	13.87" without fan
Width	7.500"
Weight	18lbs (typical—includes enclosure, backplane, power supply and fan assembly)

Environmental

Storage Temperature	57°C to +85°C
Vibration	» MIL-STD-810E » 0.1g ² /Hz, 15-2000 HZ (without shock tray)
Shock	» MIL-STD-810E » 20 g, 11 ms, half sine wave (without shock tray)
EMC	CE101, CE102, RE101, CS101, CS114, CS115, CS116 MIL-STD-461E
Enclosure	Watertight MIL-STD-108E

Input Power

- » 28 VDC Power Supply
- Primary Input: 28 VDC per MIL-STD-704D
- » 115 VAC—Call factory for details

DC Output

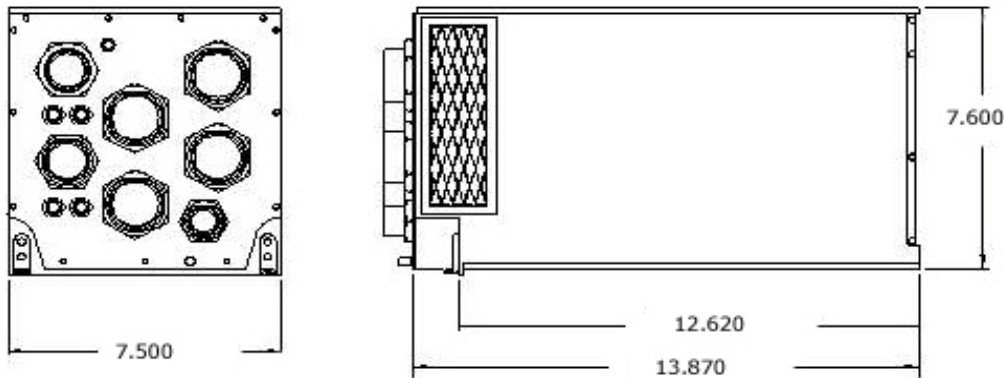
- » +5V 80 A (max)
- » 3.3V 40 A (max)
- » +12V 8.3 A (max)
- » -12V 8.3 A (max)

Note: Power supply hold-up time is dependent on input power range and board power consumption. AC power option available. Contact Kontron for information on power supply options.

Front I/O Panel Options

- » Blank (includes power connector)
- » Configured front panel with connectors for I/O, power, MIL-STD-1553B test and video
- » Custom designed I/O panel

DIMENSIONS



CORPORATE OFFICES

Europe, Middle East & Africa

Oskar-von-Miller-Str. 1
85386 Eching/Munich
Germany
Tel.: +49 (0)8165/ 77 777
Fax: +49 (0)8165/ 77 279
info@kontron.com

North America

14118 Stowe Drive
Poway, CA 92064-7147
USA
Tel.: +1 888 294 4558
Fax: +1 858 677 0898
info@us.kontron.com

Asia Pacific

17 Building, Block #1, ABP.
188 Southern West 4th Ring Road
Beijing 100070, P.R.China
Tel.: + 86 10 63751188
Fax: + 86 10 83682438
info@kontron.cn



#FS-5965# 08022010PDL
All data is for information purposes only and not guaranteed for legal purposes. Subject to change without notice. Information in this datasheet has been carefully checked and is believed to be accurate; however, no responsibility is assumed for inaccuracies. All brand or product names are trademarks or registered trademarks of their respective owners.