

# KBox A-101

---



## FANLESS AND COMPACT INDUSTRIAL COMPUTER PLATFORM FOR FACTORY AUTOMATION

- ▶ wartungsfrei (maintenance-free): no moving parts, battery-free
- ▶ dust-free packaging
- ▶ multiple mounting possibilities

POSSIBILITIES START HERE



## KBox A-101

### FANLESS AND COMPACT

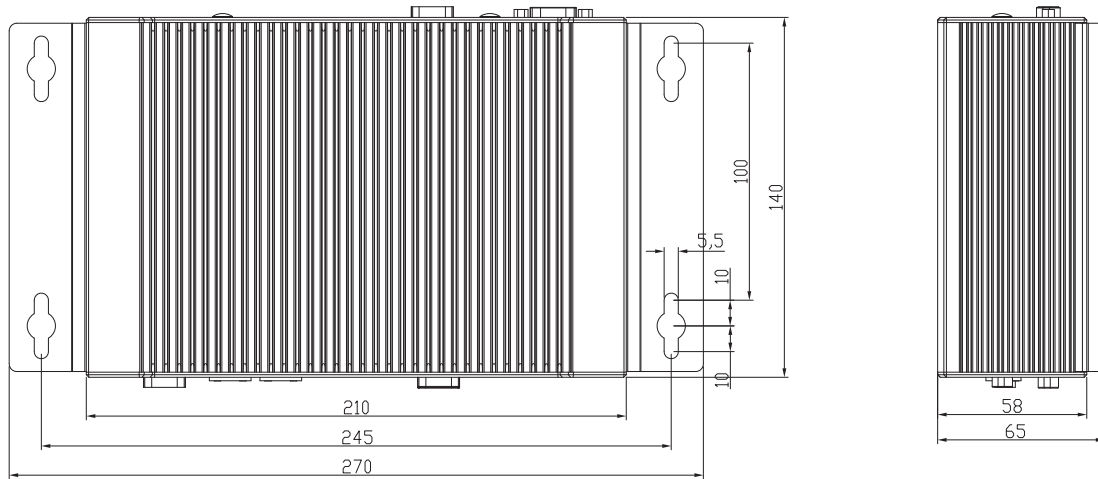
Designed for cost-sensitive automation and industry computing tasks the KBox A-101 stands out with its wartungsfrei (maintenance-free) design. The fanless industrial computer platform based on the dual-core Intel® Atom™ CPU D2550 comes with a broad range of interfaces such as one DisplayPort, two GbE ports, two USB 3.0 ports, two USB 2.0 ports and one RS232 port. With optional fieldbus support, such as for CAN or Profibus, the KBox A-101 enables communication between the customer's

machine application towards the cloud to the system backend. Furthermore data transfer is enabled over WIFI or 2G/4G to the cloud or other networks for further analysis. Diverse mounting options including desktop, wall-mount, vertical (booksize) or DIN RAIL guarantee highest flexibility. Also important for use in harsh environments is the extended temperature range (-10 °C to +60 °C) option and the shock resistance up to 15G.

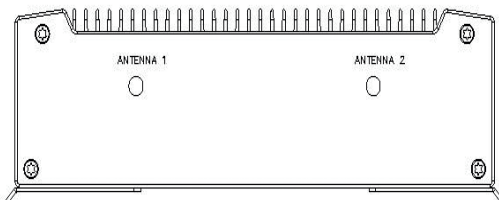
#### ► TECHNICAL INFORMATION

<b>PROCESSOR</b>	<b>CPU MAX. SPEED L2 CACHE SYSTEM CHIPSET BIOS</b>	Intel® Atom™ D2550 1.86 GHz dual-core 1.86 GHz 1 MByte Intel® NM10 AMI EFI
<b>MEMORY</b>	<b>TECHNOLOGY MAX. CAPACITY SOCKET</b>	DDR3 1066 MHz 4 GByte 1x 204-pin SO-DIMM
<b>INTERFACES</b>	<b>GRAPHICS PORTS ETHERNET SERIAL PORTS USB</b>	1x Display Port 2x GbE 1x RS232, optional: 2nd COM as RS232 or RS422/485 2x USB 3.0, 2x USB 2.0
<b>OTHERS</b>	<b>DIGITAL IO WATCHDOG TIMER</b>	4x TTL in, 4x TTL out as option 255 levels timer interval, setup by software
<b>EXPANSION</b>	<b>miniPCIe</b>	1x socket for full-size mPCIe modules
<b>STORAGE</b>	<b>HDD/SSD mSATA</b>	1x drive bay for 2.5" SATA HDD/SSD (Compatible with 12.5 mm height HDD) 1x mSATA socket
<b>SOFTWARE SUPPORT</b>	<b>MICROSOFT WINDOWS  LINUX</b>	Windows 7, Windows Embedded Standard 7, Windows Embedded Compact 7, Windows XP Fedora
<b>POWER</b>	<b>POWER TYPE INPUT VOLTAGE RANGE POWER ADAPTER</b>	AT/ATX 24 VDC (+/-20 %) AC to DC 24 V / 2.5 A (60 W) optional
<b>POWER CONSUMPTION</b>	<b>TYPICAL</b>	16 Watt (with Intel® Atom™ D2550 at 1.8 GHz)
<b>MECHANICAL</b>	<b>CONSTRUCTION MOUNTING DIMENSIONS (W X H X D) WEIGHT</b>	Aluminum housing DIN RAIL, Desktop, Wall, Cabinet, VESA Mounting 210 x 65 x 140 mm (8.27" x 2.56" x 5.51") 2.5 kg (5.51 lb)
<b>ENVIRONMENT</b>	<b>OPERATING TEMPERATURE STORAGE TEMPERATURE RELATIVE HUMIDITY VIBRATION SHOCK MTBF EMC SAFETY CERTIFICATIONS</b>	With extended temperature peripherals: -10 °C to +60 °C (14 °F to 140 °F) -40 °C to +85 °C (-40 °F to 185 °F) 95 % @ 40°C (non-condensing) acc. IEC 60068-2-6, 10-500 Hz, 2G acc. IEC 60068-2-27, half sine, 15G, 11 ms 158.123 h at 30 °C CE/FCC Class A CB Scheme, UL 60950-1

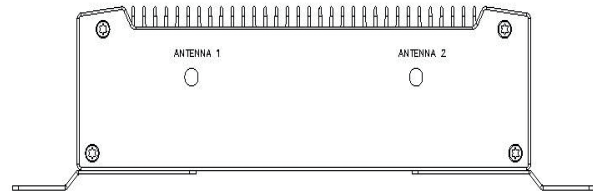
## ► DIMENSIONS



## ► FRONT PANEL EXTERNAL I/O MECHANICAL LAYOUT/DRAWING



## ► REAR PANEL EXTERNAL I/O MECHANICAL LAYOUT/DRAWING



## ► ORDERING INFORMATION

RECOMMENDED CONFIGURATION	MATERIAL NUMBER	DESCRIPTION
KBox A-101	2-AOCR-2004	D2550 Atom CPU, 4 GByte RAM, 2nd COM RS422, 60 GByte SSD, WES7, Desktop, 24 VDC input

## ► CORPORATE OFFICES

### EUROPE, MIDDLE EAST & AFRICA

Lise-Meitner-Str. 3-5  
86156 Augsburg  
Germany  
Tel.: + 49 821 4086 0  
Fax: + 49 821 4086 111  
info@kontron.com

### NORTH AMERICA

14118 Stowe Drive  
Poway, CA 92064-7147  
USA  
Tel.: + 1 888 294 4558  
Fax: + 1 858 677 0898  
info@us.kontron.com

### ASIA PACIFIC

1-2F, 10 Building, No. 8 Liangshuihe 2nd Street,  
Economical & Technological Development Zone,  
Beijing, 100176, P.R.China  
Tel.: +86 10 63751188  
Fax: +86 10 83682438  
info@kontron.cn