

FLATMAN Monitor

Monitor 10.4" up to 23.8" in full metal housing or built-in-variant

Technical Information

Display size	10.4"	12.1"	12.1" XGA	15.0"
Display manufacturer	Innolux	Innolux	Innolux	Innolux
Display type	G104AGE-L02	G121AGE-L03	G121X1-L03	G150XNE-L01 (new !!!)
Resolution	800x600	800x600	1024x768, XGA	1024x768
Format	4:3	4:3	4:3	4:3
Contrast ratio	700:1	1500:1	700:1	2500:1
Brightness	400cd	450cd	600cd	500cd
Angle View	H160° / V140°	H178° / V178°	H160° / V140°	H176° / V176°
Colors	16.7 million	16.7 million	16.2 million	16.7 million
LED Lifetime (> 50%, 25°C)	> 50.000h	> 50.000h	> 50.000h	> 70.000h
Dimensions (WxHxD - mm)	297 x 244 x 65	338 x 277 x 65	338 x 277 x 65	396 x 312 x 69
Weight	~ 3,9kg	~ 4,7kg	~ 4,7kg	~ 6,4kg
Touch Options	Protection glass / PCAP / resistive			
Mounting Option	full metal housing / built-in-mounting			
Fastening	VESA 75/75 or 100/100 (full metal housing only); fastening clips (built-in-variant only)			
Color	RAL 7021 (black anthracite)			

Display size	15.6"	15.6" Full HD	17.0"	18.5"
Display manufacturer	Innolux	AUO	AUO	Innolux
Display type	G156BGE-L01	G156HTN02.0	G170EG01V1	G185BGE-L01
Resolution	1366x768, HD	1920x1080, Full HD	1280x1024	1366x768, HD
Format	16:9	16:9	5:4	16:9
Contrast Ratio	500:1	500:1	800:1	1000:1
Brightness	300cd	400cd	350cd	300cd
Angle View	H160° / V160°	H140° / V120°	H160° / V140°	H178° / V170°
Colors	16.7 million	16.2 million	16.7 million	16.7 million
LED Lifetime (> 50%, 25°C)	> 50.000h	> 50.000h	> 50.000h	> 50.000h
Dimensions (WxHxD - mm)	432 x 281 x 74	432 x 281 x 74	427 x 360 74	500 x 321 x 74
Weight	~ 6,7kg	~ 6,7kg	~ 7,8kg	~ 8,6kg
Touch Options	Protection glass / PCAP / resistive			
Mounting Option	full metal housing / built-in-mounting			
Fastening	VESA 75/75 or 100/100 (full metal housing only); fastening clips (built-in-variant only)			
Color	RAL 7021 (black anthracite)			

Display size	18.5" Full HD	19.0"	21.5"	23.8"
Display manufacturer	AUO	AUO	AUO	AUO
Display type	G185HAN01.0	G190ETN01.2	G215HVN01.0	G238HAN01.1 (new !!!)
Resolution	1920x1080, FHD	1280x1024	1920x1080, Full HD	1920x1080
Format	16:9	5:4	16:9	16:9
Contrast Ratio	1000:1	1000:1	3000:1	1000:1
Brightness	350cd	350cd	300cd	400cd/m ²
Angle View	H178° / V178°	H170° / V160°	H178° / V178°	178°/178°
Colors	16.7 million	16.7 million	16.7 million	16,7million
LED Lifetime (> 50%, 25°C)	> 50.000h	> 50.000h	> 50.000h	50.000h
Dimensions (WxHxD - mm)	500 x 321 x 74	473 x 396 x 68	575 x 367 x 74	569 x 357 x 69
Weight	~ 8,6kg	~ 9,4kg	~ 10,7kg	~ 11,8 kg
Touch Options	Protection glass / PCAP / resistive			Protection glass / PCAP
Mounting Option	full metal housing / built-in-mounting			
Fastening	VESA 75/75 or 100/100 (full metal housing only); fastening clips (built-in-variant only)			
Color	RAL 7021 (black anthracite)			

- other Display manufacturers and types are possible

FLATMAN Monitor

Monitor 10.4" up to 23.8" in full metal housing or built-in-variant

Mounting Option	full metall housing / built-in-mounting
Fastening	VESA 75/75 or 100/100 (full metal housing only); fastening clips (built-in-variant only)
Color	RAL 7021 (black anthracite)
Video In	1x DVI, 1x Display Port
I/O Option	USB2.0 (Type B) - client
Power Supply	12-30VDC Input
Cooling	Fanless passive cooling
Operating Temperature	0°C - 50°C ambient (**)
Humidity	10%-90% @ 39°C, non condensing
Operating Altitude	Up to 3000m (9900 ft)
Storage Altitude	Up to 5000m (16500 ft)
Certification	CE, cULus
Protection class	Front: IP65, Housing IP20
EMC	EN55022 class B

(** except monitor in size 23.8": operating temperature 0-45°C ambient)

Order Information

Example:

EN00-Z41300-01

(FLATMAN Monitor 15.6" with resistive touch in full metal housing)

EN00-yyyyyy-xx

① ② ③ ④ ⑤ ⑥

① - Internal Code

② - Display Size

- Z1 = 10.4" monitor
- Z2 = 12.1" monitor
- Z3 = 15.0" monitor
- Z4 = 15.6" monitor
- Z5 = 17.0" monitor
- Z6 = 18.5" monitor
- Z7 = 19.0" monitor
- Z8 = 21.5" monitor
- ZH = 23.8" monitor

③ - Touch Technology:

- 0 = without touch, only with protection glass
- 1 = Touch resistive
- 2 = Touch PCAP
- 3 = with protection glass and stainless steel front
- 4 = Touch resistive and stainless steel front
- 5 = Touch PCAP and stainless steel front
- 6 = Touch PCAP – V2 (23.8" size only), other sizes ask for it at our sales department)
- 7 = without touch, only with protection glass V2 (23.8" size only, other sizes ask for it at our sales department)

④ - Mounting Variant:

- 3 = Monitor full metal (w/o CPU)
- 4 = Monitor built-in-mounting (w/o CPU)

⑤ - Options: counted on demand

⑥ - Internal Code (Revision)

FLATMAN Monitor

Monitor 10.4" up to 23.8" in full metal housing or built-in-variant

Additional Equipment

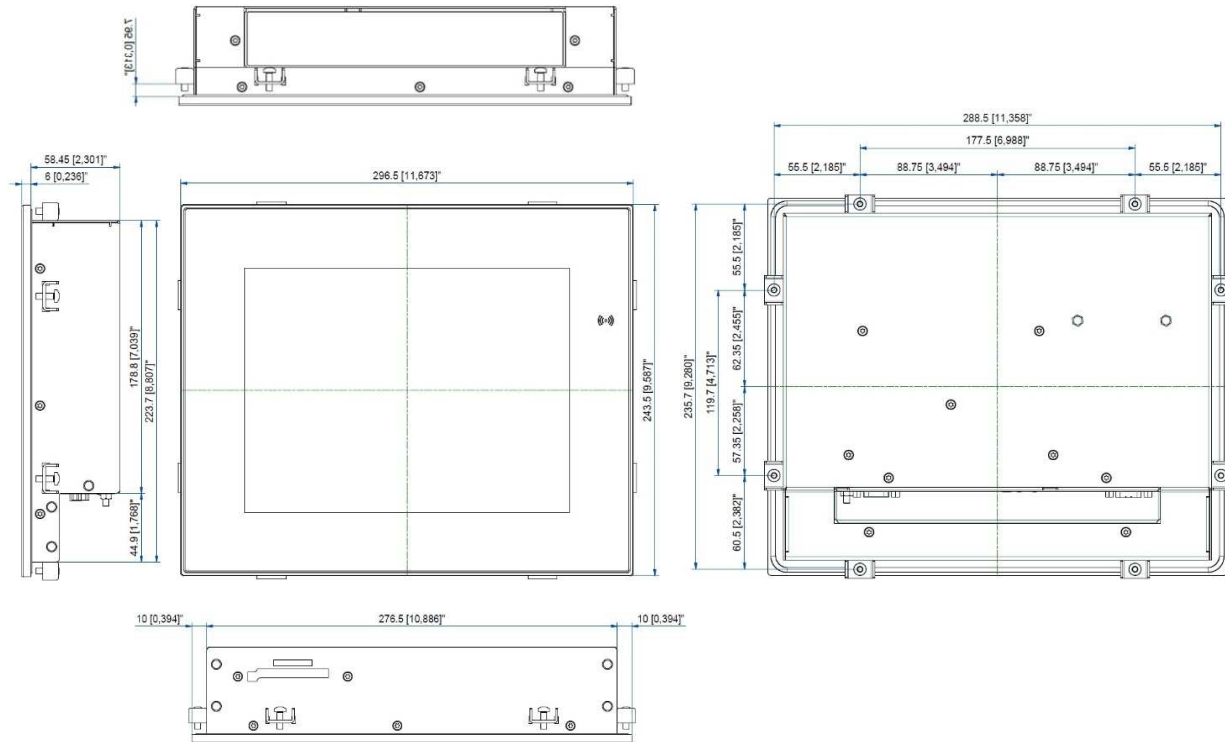
Part#	Description
PR22-100004-01	Adapter Kabel HDMI - Displayport, 20cm, 4K aktiv, Delock: 62607
PR22-100005-01	Adapter HDMI - Displayport 1.2, 4K aktiv, Delock: 65573
PR22-100006-01	Adapter DVI-D - Displayport 1.1, Delock: 65257
PR22-100007-01	Adapter VGA - Displayport 1.1, Delock: 65567
PR22-100008-01	Adapter DVI-I – HDMI, Delock: 65467
840-0758	DP Kabel 1,8m
840-0759	DP Kabel 3m
840-0760	DP Kabel 5m
840-0598	Adapter VGA / DVI
840-0039	VGA/SVGA cable 1,8m/2,0m
840-0134	DVI-cable 2m
ER40-100001-01	Set Power supply 24VDC /w Phoenix Connector
EE04-100001-01	Phoenix Power Subcon w/ housing

FLATMAN Monitor

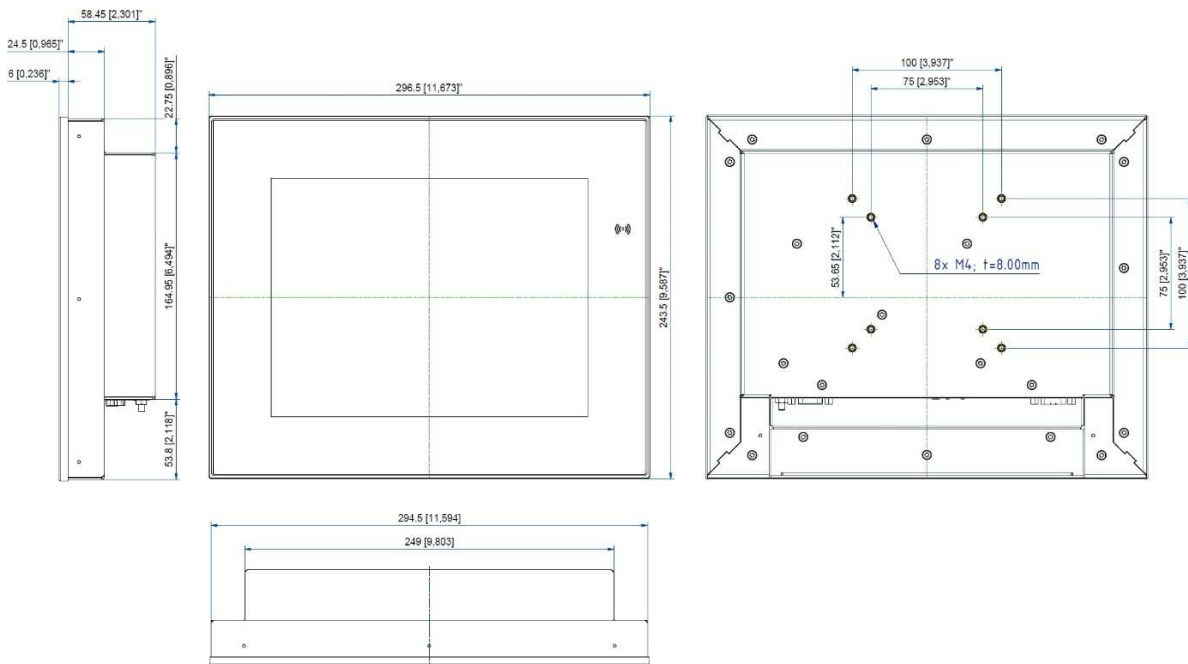
Monitor 10.4" up to 23.8" in full metal housing or built-in-variant

Dimension Drawings

10.4" built-in-variant



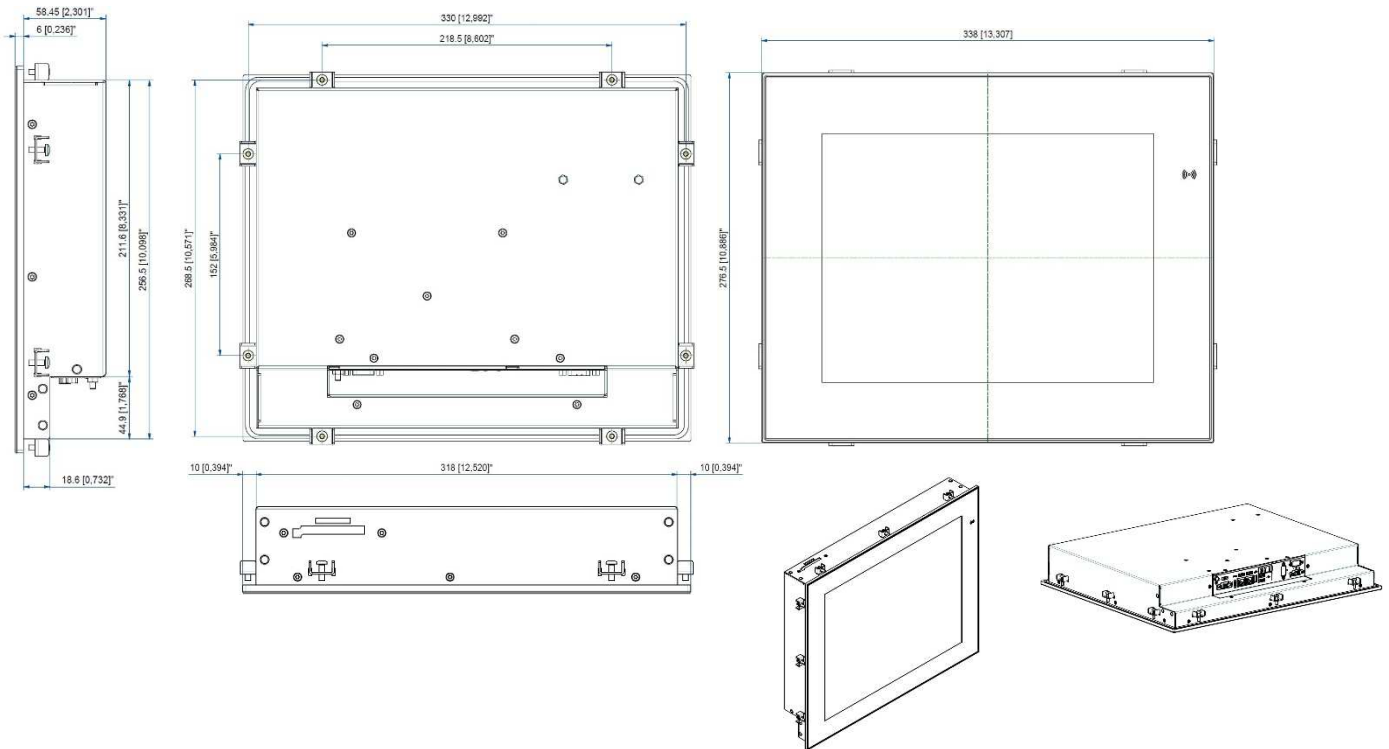
10.4" full metal



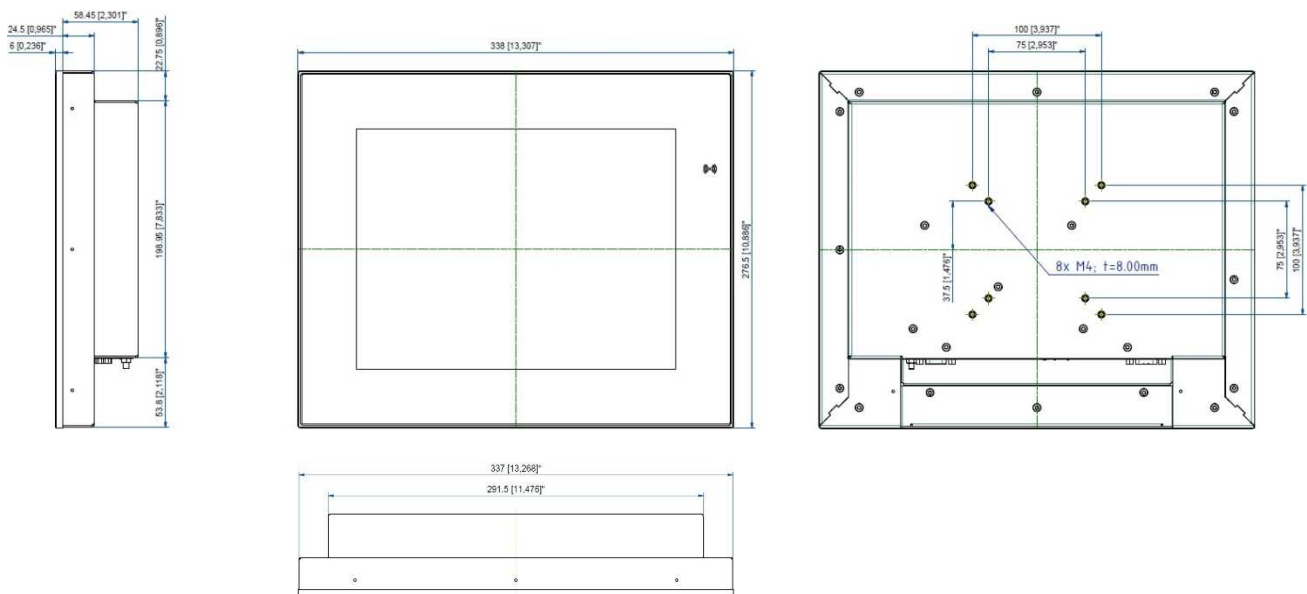
FLATMAN Monitor

Monitor 10.4" up to 23.8" in full metal housing or built-in-variant

12.1" built-in-variant



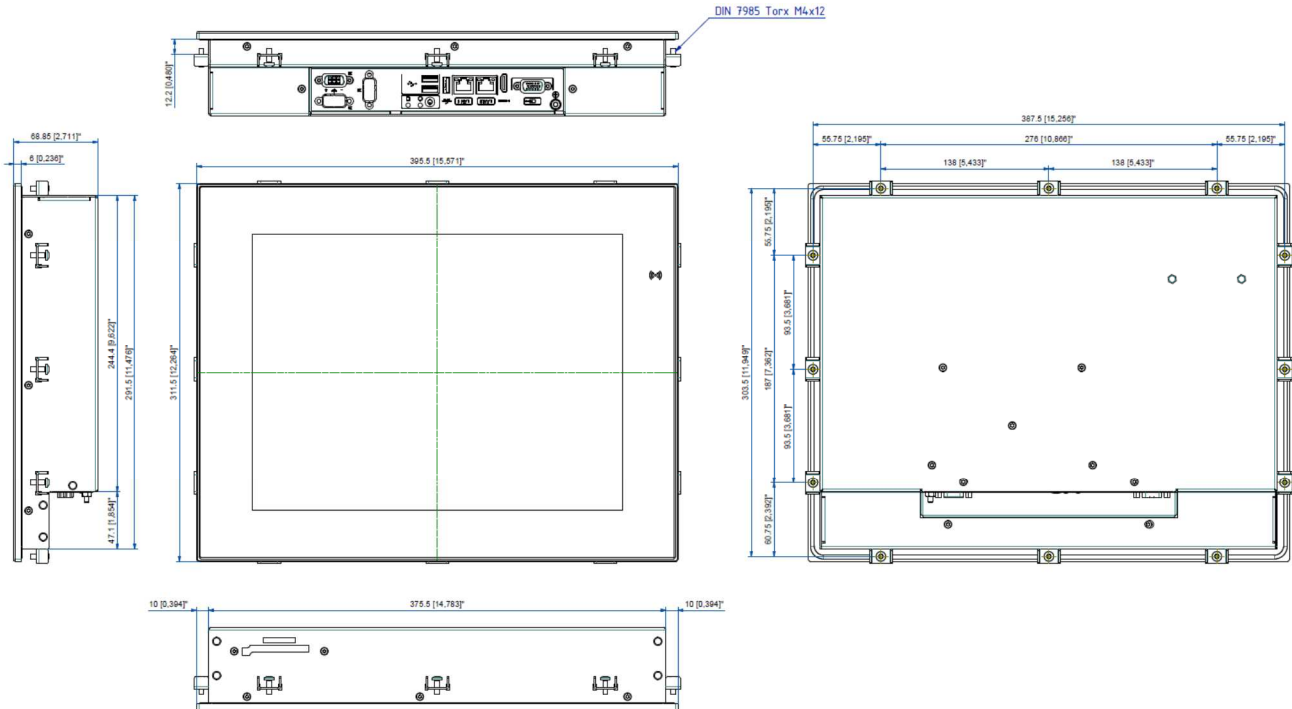
12.1" full metal



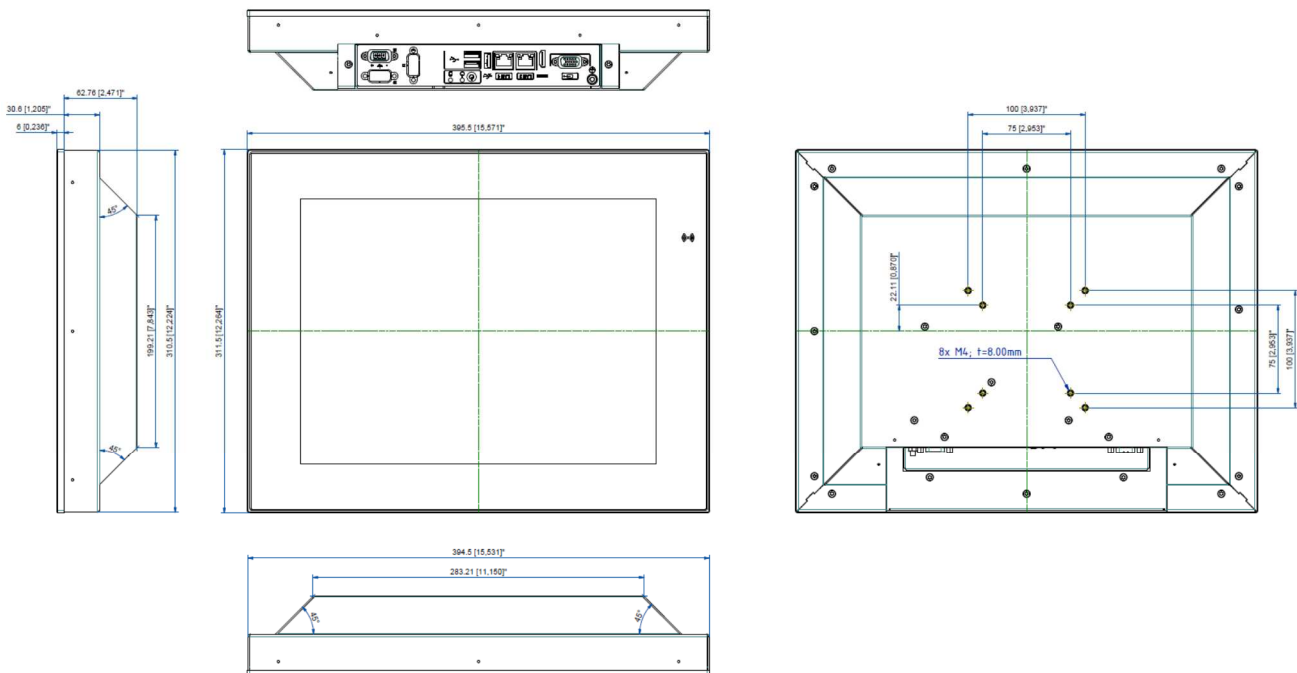
FLATMAN Monitor

Monitor 10.4" up to 23.8" in full metal housing or built-in-variant

15.0" built-in-variant



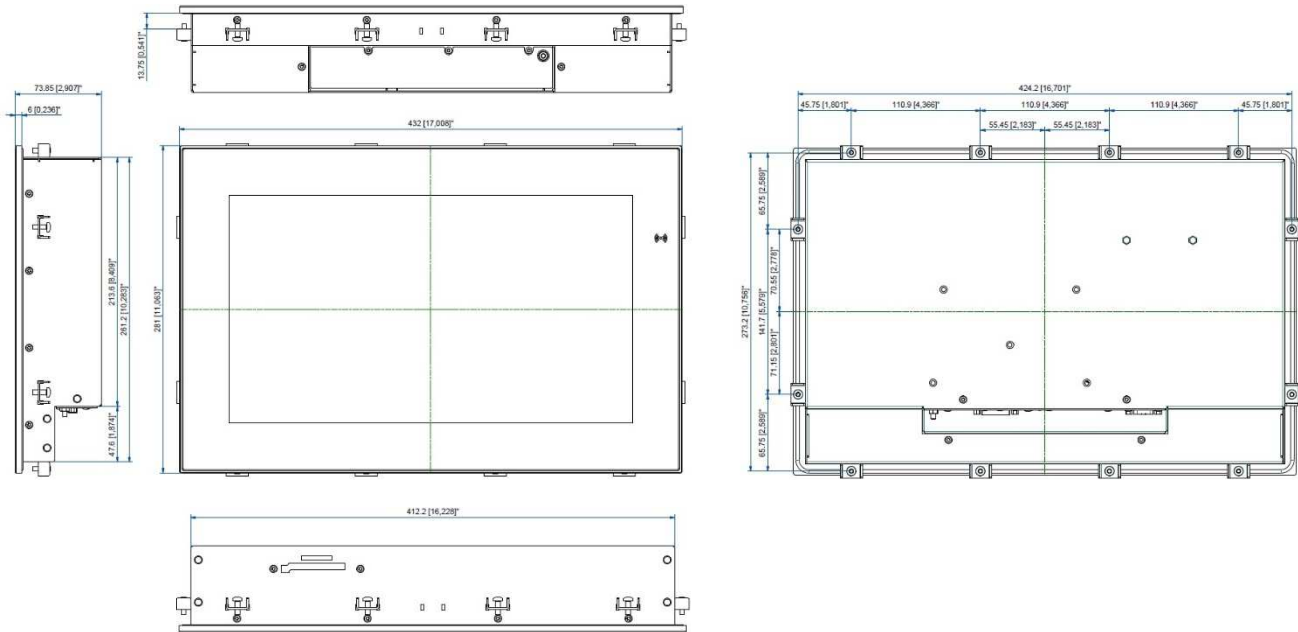
15.0" full metal



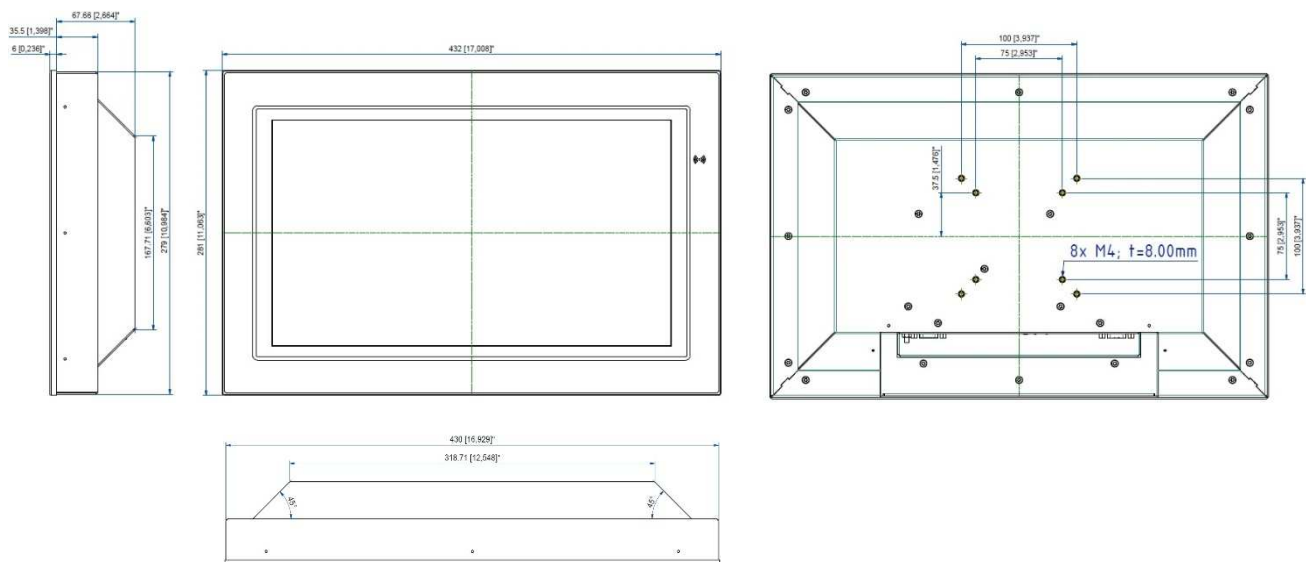
FLATMAN Monitor

Monitor 10.4" up to 23.8" in full metal housing or built-in-variant

15.6" built-in-variant



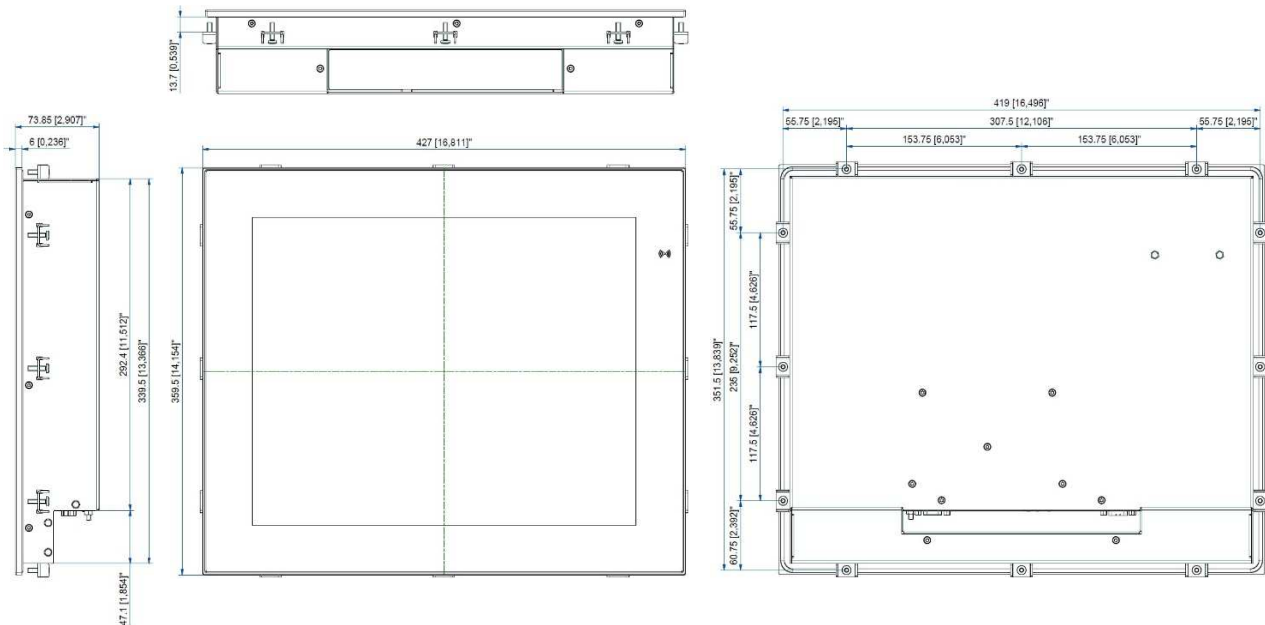
15.6" full metal



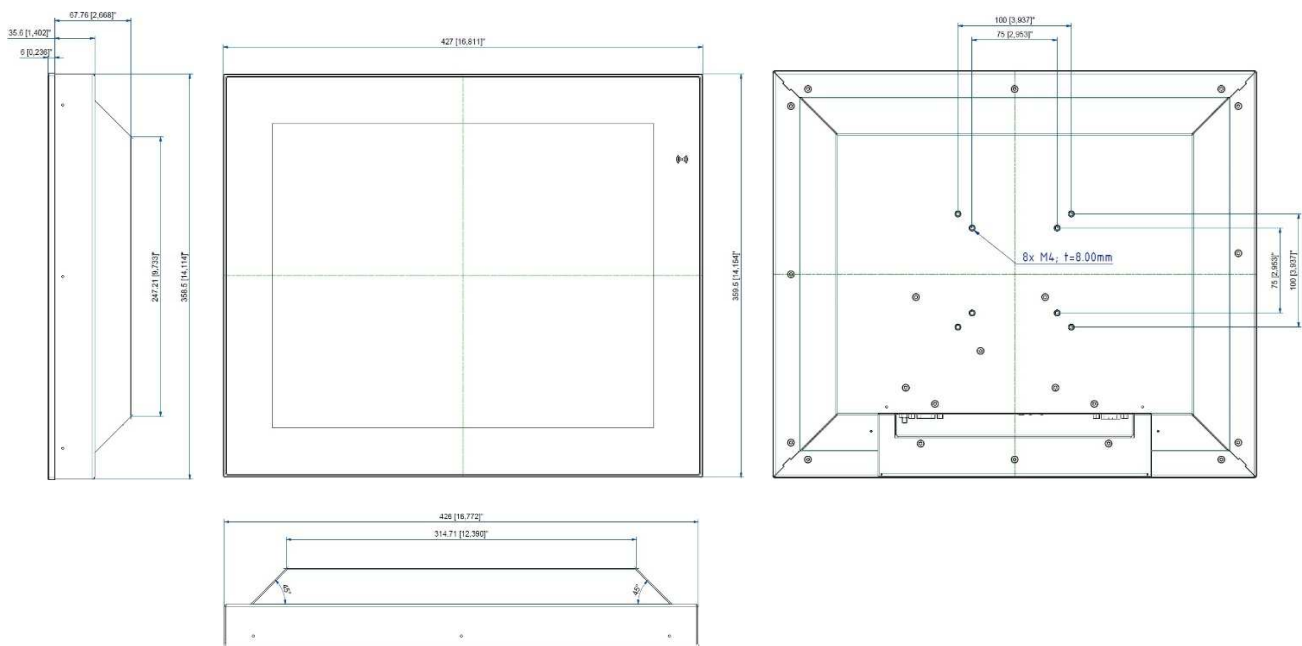
FLATMAN Monitor

Monitor 10.4" up to 23.8" in full metal housing or built-in-variant

17.0" built-in-variant



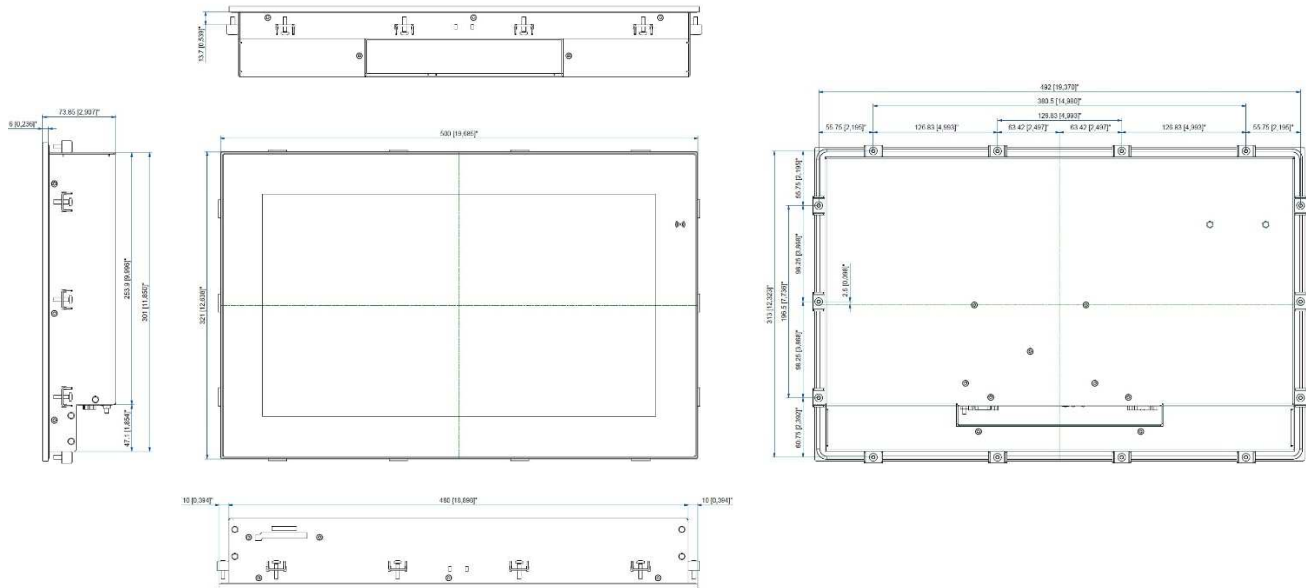
17.0" full metal



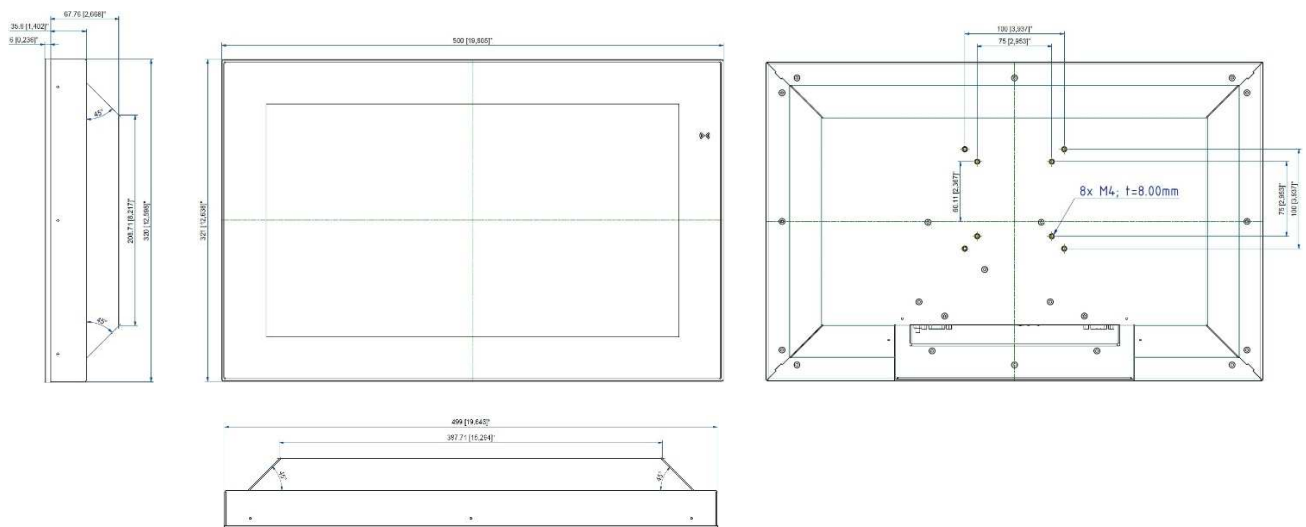
FLATMAN Monitor

Monitor 10.4" up to 23.8" in full metal housing or built-in-variant

18.5" built-in-variant



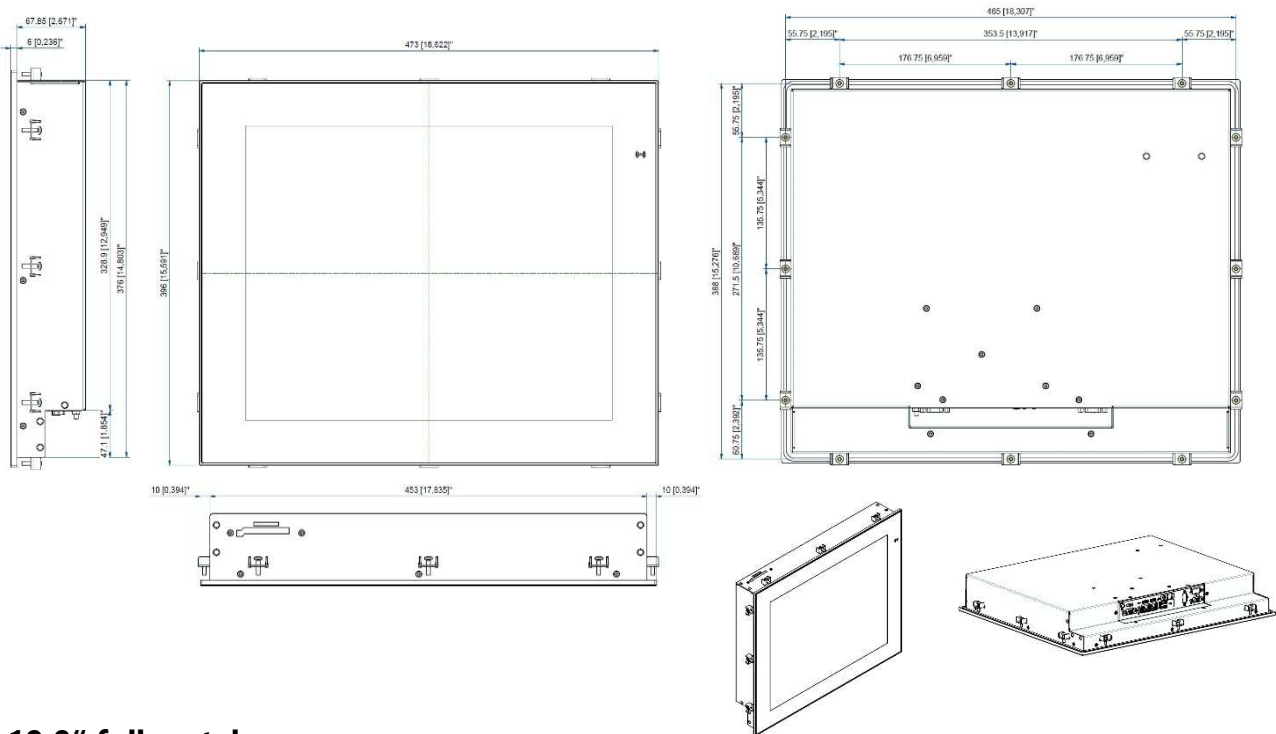
18.5" full metal



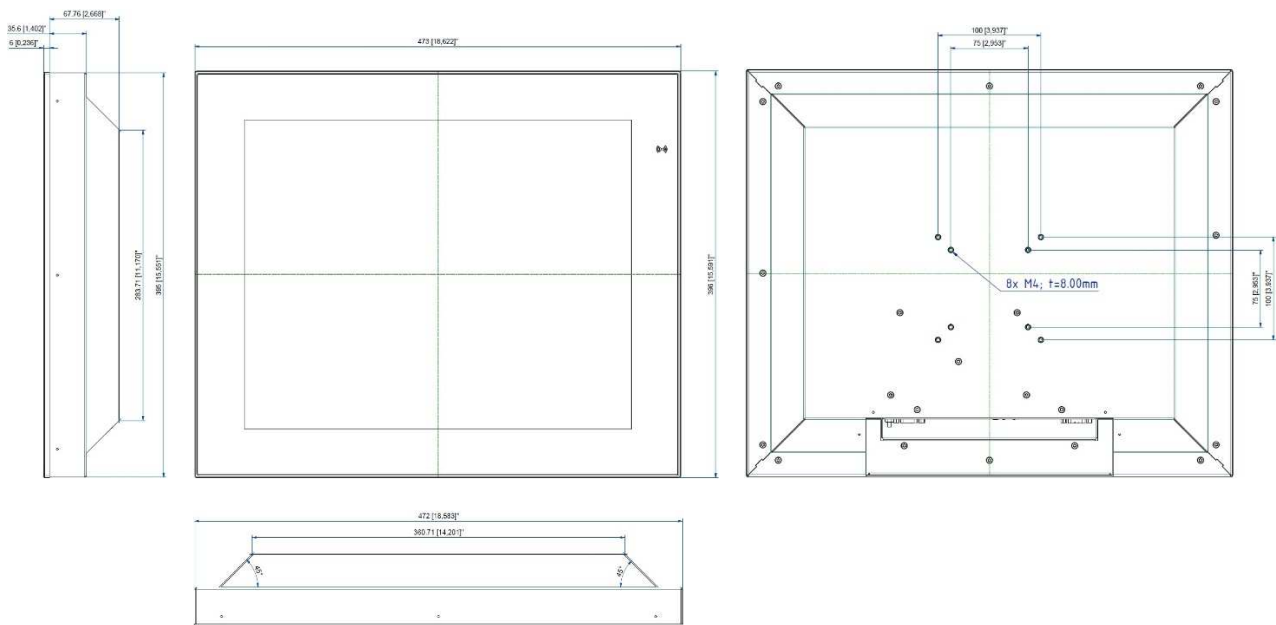
FLATMAN Monitor

Monitor 10.4" up to 23.8" in full metal housing or built-in-variant

19.0" built-in-variant



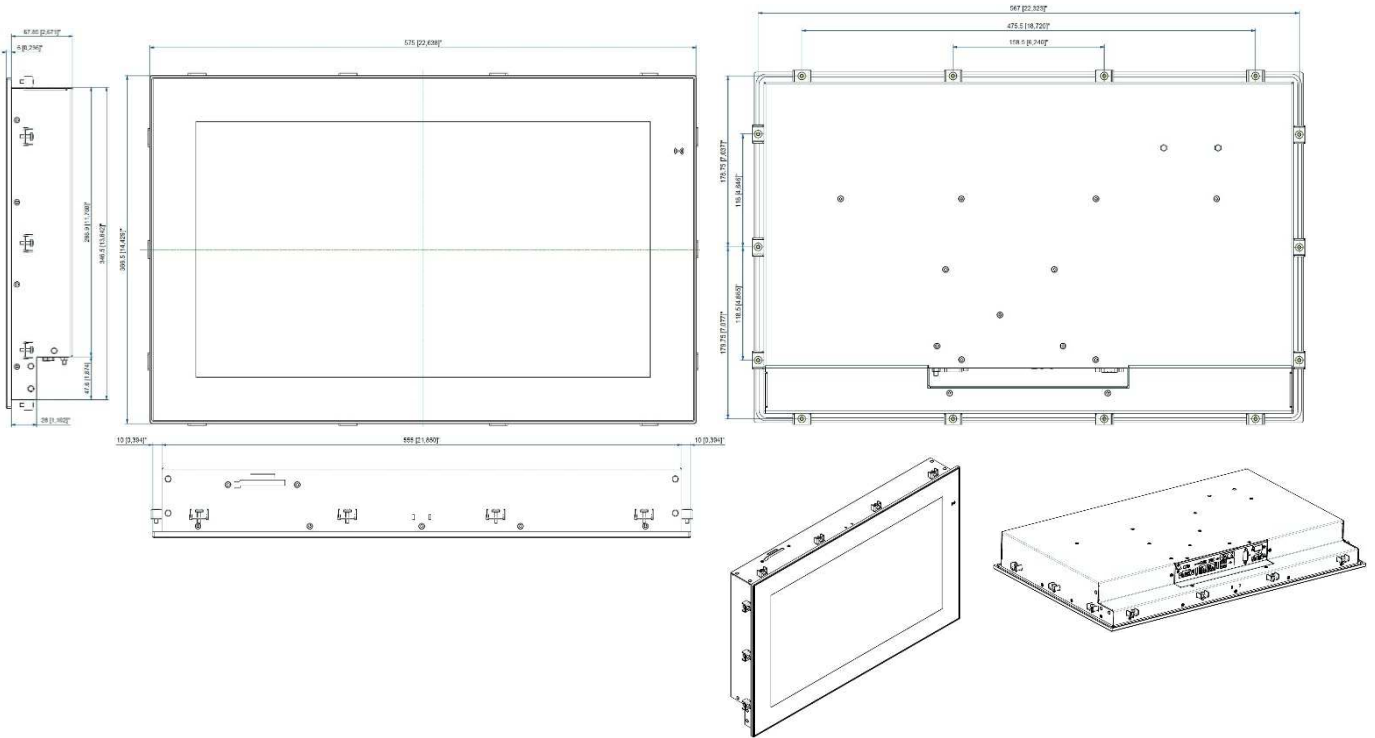
19.0" full metal



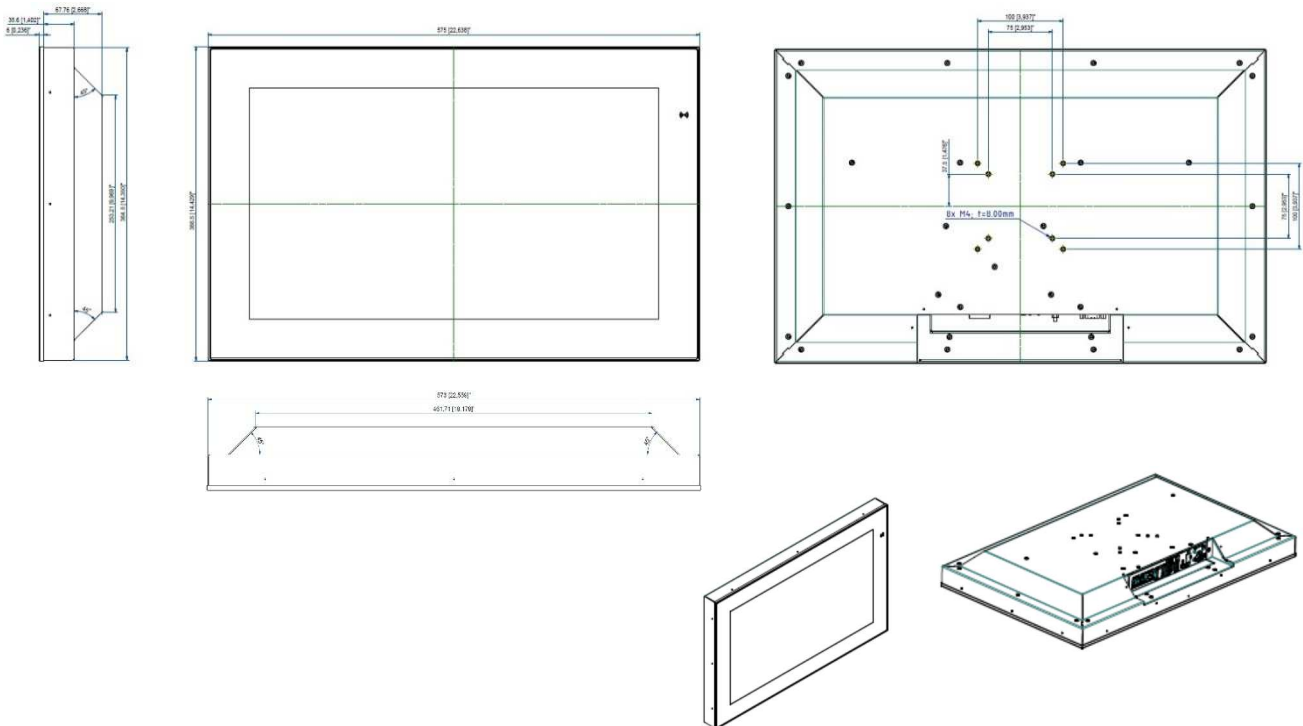
FLATMAN Monitor

Monitor 10.4" up to 23.8" in full metal housing or built-in-variant

21.5" built-in-variant



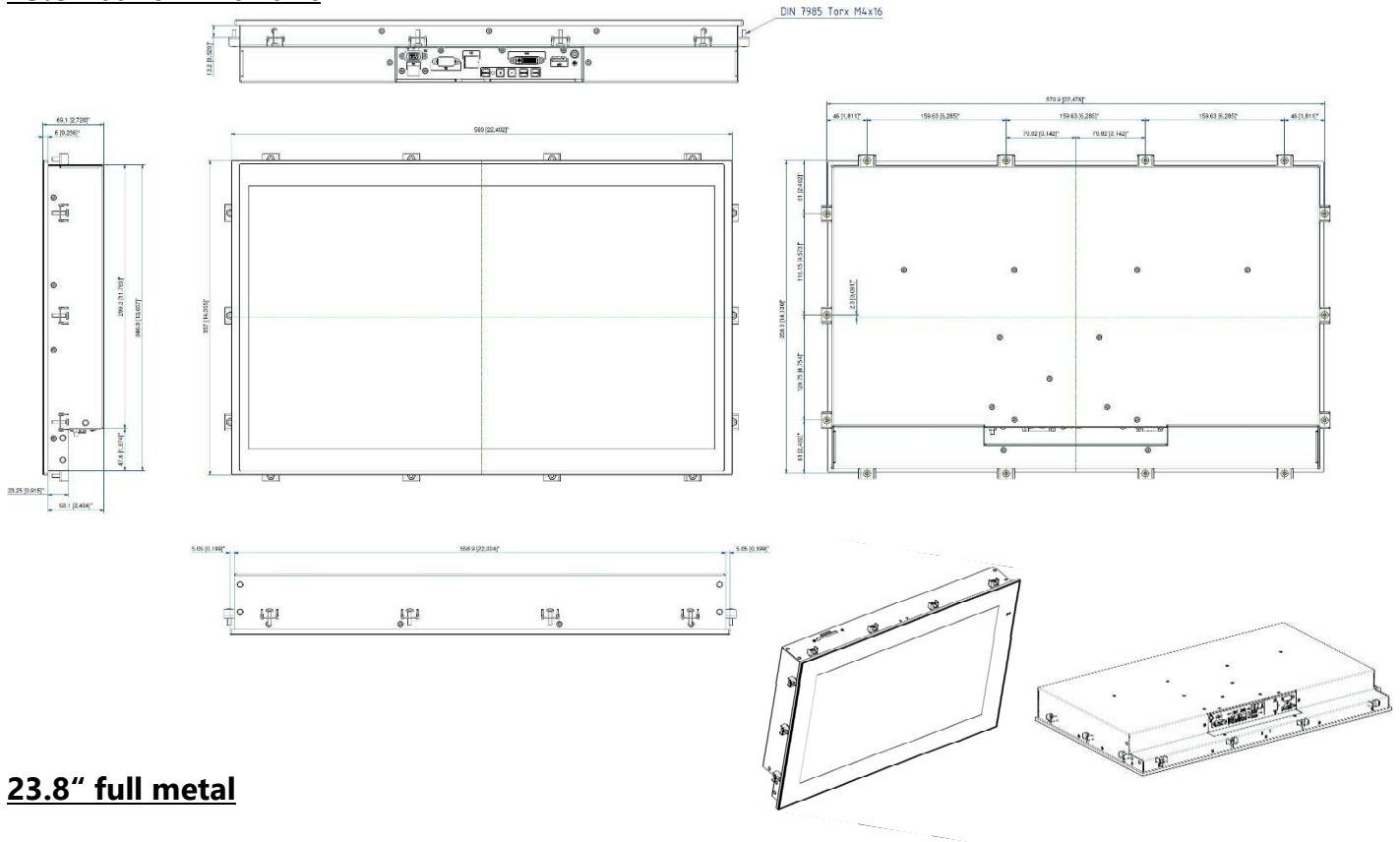
21.5" full metal



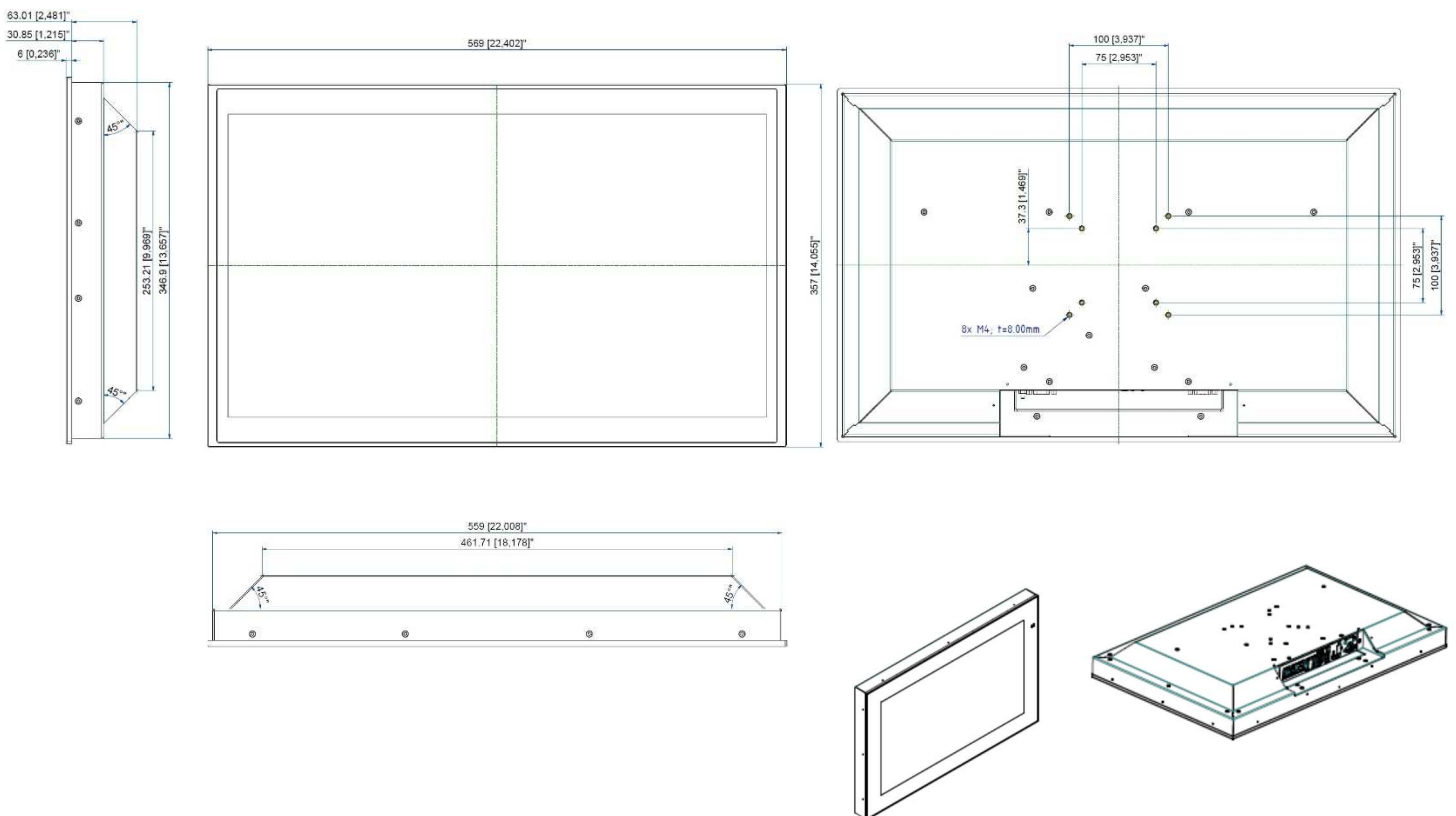
FLATMAN Monitor

Monitor 10.4" up to 23.8" in full metal housing or built-in-variant

23.8" built-in-variant



23.8" full metal



FLATMAN Monitor

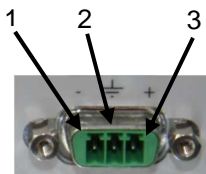
Monitor 10.4" up to 23.8" in full metal housing or built-in-variant

Connectors

Monitor



1.1 PWR: Input Power Connector



Pin	Signal
1	GND
2	Shield
3	VCC (24VDC only!)

Mating connector
Phoenix Contact PSC 1,5/ 3-F Order# 1841909



1.2 OSD Keypad



With the self explaining OSD (On Screen Display) you can modify the settings and control the special features of the CRTtoLCD-Controller. The OSD uses a number of menus for making changes and turning the special features on or off. The configuration can be done via the OSD-keypad

1.2.1 Power Button



Press this button to turn on or off the device.

FLATMAN Monitor

Monitor 10.4" up to 23.8" in full metal housing or built-in-variant

1.2.2 LED Power indicator

LED	function
off	No Power
green	active
green	Standby

1.2.3 Up Button



Down Button



To select an tab, simply use the button "UP" or "DOWN" to move the cursor to the tab you want

1.2.4 Select Button



If you have chosen the tab you want press the button "select".

1.2.5 Menu Button



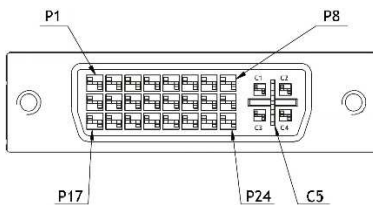
Press the button "Menu" to open the OSD menu.

FLATMAN Monitor

Monitor 10.4" up to 23.8" in full metal housing or built-in-variant

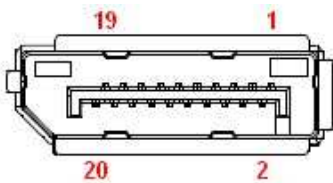
1.3 DVI connector

(front view):



Pin	Signal	Pin	Signal	Pin	Signal
1	Rx2-	9	Rx1-	17	Rx0-
2	Rx2+	10	Rx1+	18	Rx0+
3	GND	11	GND	19	GND
4	n.c.	12	n.c.	20	n.c.
5	n.c.	13	n.c.	21	n.c.
6	SCL	14	+5V	22	GND
7	SDA	15	GND	23	RxC+
8	n.c.	16	HP	24	RxC-
C1	RED	C3	BLUE	C5	GND
C2	GREEN	C4	HSYNC	C5-	GND

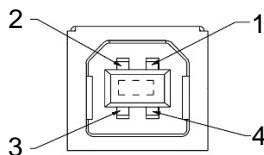
1.4 Display Port connector



Pin	Signal	Pin	Signal
1	TX0+	11	GND
2	GND	12	TX3-
3	TX0-	13	GND
4	TX1+	14	GND
5	GND	15	AUX+
6	TX1-	16	GND
7	TX2+	17	AUX-
8	GND	18	HPD
9	TX2-	19	GND
10	TX3+	20	PWR

1.5 USB client connector (Type B)

(front view):



Pin	Signal Name
1	+USB_VCC
2	USB_D-
3	USB_D+
4	GND

Internal connected to the touch controller.
Connect this port to your PC with USB cable part# 840-0273.