

# FLATMAN Panel PC

Panel PC in full metal housing or built-in-variant with Intel® Processor BayTrail / Haswell or new Generation Apollo Lake / Skylake /Kaby Lake

## Technical Information

Display size	10.4"	12.1"	12.1" XGA	15.0"
Display manufacturer	Innolux	Innolux	Innolux	Innolux
Display type	G104AGE-L02	G121AGE-L03	G121X1-L03	G150XNE-L01 (new !!!)
Resolution	800x600	800x600	1024x768, XGA	1024x768
Format	4:3	4:3	4:3	4:3
Contrast ratio	700:1	1500:1	700:1	2500:1
Brightness	400cd	450cd	600cd	500cd
Angle View	H160° / V140°	H178° / V178°	H160° / V140°	H176° / V176°
Colors	16.7 million	16.7 million	16.2 million	16.7 million
LED Lifetime (> 50%, 25°C)	> 50.000h	> 50.000h	> 50.000h	> 70.000h
Dimensions (WxHxD - mm)	297 x 244 x 65	338 x 277 x 65	338 x 277 x 65	396 x 312 x 69
Weight	~ 3,9kg	~ 4,7kg	~ 4,7kg	~ 6,4kg
Touch Options	Protection glass / PCAP / resistive			
Mounting Option	full metal housing / built-in-mounting			
Fastening	VESA 75/75 or 100/100 (full metal housing only); fastening clips (built-in-variant only)			
Color	RAL 7021 (black anthracite)			

Display size	15.6"	15.6" Full HD	17.0"	18.5"
Display manufacturer	Innolux	AUO	AUO	Innolux
Display type	G156BGE-L01	G156HTN02.0	G170EG01V1	G185BGE-L01
Resolution	1366x768, HD	1920x1080, Full HD	1280x1024	1366x768, HD
Format	16:9	16:9	5:4	16:9
Contrast Ratio	500:1	500:1	800:1	1000:1
Brightness	300cd	400cd	350cd	300cd
Angle View	H160° / V160°	H140° / V120°	H160° / V140°	H178° / V170°
Colors	16.7 million	16.2 million	16.7 million	16.7 million
LED Lifetime (> 50%, 25°C)	> 50.000h	> 50.000h	> 50.000h	> 50.000h
Dimensions (WxHxD - mm)	432 x 281 x 74	432 x 281 x 74	427 x 360 74	500 x 321 x 74
Weight	~ 6,7kg	~ 6,7kg	~ 7,8kg	~ 8,6kg
Touch Options	Protection glass / PCAP / resistive			
Mounting Option	full metal housing / built-in-mounting			
Fastening	VESA 75/75 or 100/100 (full metal housing only); fastening clips (built-in-variant only)			
Color	RAL 7021 (black anthracite)			

Display size	18.5" Full HD	19.0"	21.5"	23.8"
Display manufacturer	AUO	AUO	AUO	AUO
Display type	G185HAN01.0	G190ETN01.2	G215HVN01.0	G238HAN01.1 (new !!!)
Resolution	1920x1080	1280x1024	1920x1080, Full HD	1920x1080
Format	16:9	5:4	16:9	16:9
Contrast Ratio	1000:1	1000:1	3000:1	1000:1
Brightness	350cd/m <sup>2</sup>	350cd	300cd	400cd/m <sup>2</sup>
Angle View	178°/178°	H170° / V160°	H178° / V178°	178°/178°
Colors	16,7million	16.7 million	16.7 million	16,7million
LED Lifetime (> 50%, 25°C)	50.000h	> 50.000h	> 50.000h	50.000h
Dimensions (WxHxD - mm)	500 x 321 x 74	473 x 396 x 68	575 x 367 x 74	569 x 357 x 69
Weight	~ 8,6kg	~ 9,4kg	~ 10,7kg	~ 11,8 kg
Touch Options	Protection glass / PCAP / resistive			Protection glass / PCAP
Mounting Option	full metal housing / built-in-mounting			
Fastening	VESA 75/75 or 100/100 (full metal housing only); fastening clips (built-in-variant only)			
Color	RAL 7021 (black anthracite)			

- other Display manufacturers and types are possible

# FLATMAN Panel PC

Panel PC in full metal housing or built-in-variant with Intel® Processor BayTrail / Haswell or new Generation Apollo Lake / Skylake /Kaby Lake

## ECO-Line

CPU	Intel® BayTrail Celeron Quad Core J1900	Option: Intel® Braswell Celeron Quad Core
Memory	4GB DDR3 SO-DIMM	4GB DDR3 SO-DIMM
BIOS	AMI uEFI BIOS	AMI uEFI BIOS
I/O Standard	2xGbE (1x Intel® I210, 1x Realtek RTL8111G), 1x HDMI, 1x VGA, 1x USB3.0, 2x USB2.0	2xGbE (2x Intel® I210), 1x HDMI, 1x DP, 4x USB3.0, 1x VGA, 2x USB2.0 (option)
Power Supply	12-30VDC Input	12-30VDC Input
Cooling	Fanless passive cooling	Fanless passive cooling
Operating Temperature	0°C - 50°C ambient (**)	0°C - 50°C ambient (**)
Operating Altitude	Up to 3000m (9900 ft)	Up to 3000m (9900 ft)
Storage Altitude	Up to 5000m (16500 ft)	Up to 5000m (16500 ft)
Humidity	10%-90% @ 39°C, non condensing	10%-90% @ 39°C, non condensing
OS Support	Windows7 incl Embedded, Windows8.1 Pro, Windows10 IoT, Linux Ubuntu	Windows7 incl Embedded, Windows8.1 Pro, Windows10 IoT, Linux Ubuntu
Certification	CE, cULus, Design to meet FCC	CE
Protection class	Front: IP65, Housing IP20	Front: IP65, Housing IP20
EMC	EN55022 class B	EN55022 class B
Options (Further options on request)	8GB RAM CF/SD Card Adapter SD Card Memory 4GB, 16GB, 32GB, 64GB CF Card Memory on demand mSATA SSD 32GB, 64GB, 128GB, 256GB, 512GB 2x COM (RS232, RS422, RS485) Audio with amplifier (2x 3W) RFID, WiFi (on demand)	8GB RAM CF/SD Card Adapter SD Card Memory 4GB, 16GB, 32GB, 64GB CF Card Memory on demand mSATA SSD 32GB, 64GB, 128GB, 256GB, 512GB 2x COM (RS232, RS422, RS485) Audio with amplifier (2x 3W) RFID, WiFi (on demand)

CPU	Intel® Apollo Lake Pentium® N4200
Memory	4GB DDR3 SO-DIMM
BIOS	AMI uEFI BIOS
I/O Standard	2xGbE (Intel® I210) 1x HDMI, 1x DP, 4x USB3.0
Power Supply	12-30VDC Input
Cooling	Fanless passive cooling
Operating Temperature	0°C - 50°C ambient (**)
Operating Altitude	Up to 3000m (9900 ft)
Storage Altitude	Up to 5000m (16500 ft)
Humidity	10%-90% @ 39°C, non condensing
OS Support	Windows10 IoT, Linux Ubuntu
Certification	CE, cULus, Design to meet FCC
Protection class	Front: IP65, Housing IP20
EMC	EN55022 class B
Options (Further options on request)	8GB RAM CF/SD Card Adapter SD Card Memory 4GB, 16GB, 32GB, 64GB CF Card Memory on demand M.2 SSD 64GB, 128GB, 256GB, 512GB 2x COM (RS232, RS422, RS485) Audio with amplifier (2x 3W) RFID, WiFi (on demand)

# FLATMAN Panel PC

Panel PC in full metal housing or built-in-variant with Intel® Processor BayTrail / Haswell or new Generation Apollo Lake / Skylake /Kaby Lake

## PRO-Line

<b>CPU</b>	<b>Intel® Haswell ULT i5-4300U</b>	<i>Option: Intel® Broadwell ULT i5-5350U</i>
<b>Memory</b>	4GB DDR3 SO-DIMM	<i>4GB DDR3 SO-DIMM</i>
<b>BIOS</b>	AMI uEFI BIOS	<i>AMI uEFI BIOS</i>
<b>Hardware Monitor</b>	Temperature, Voltages	<i>Temperature, Voltages</i>
<b>Watchdog</b>	Programmable WDT to generate System reset event	<i>Programmable WDT to generate System reset event</i>
<b>RTC</b>	Processor integrated RTC	<i>Processor integrated RTC</i>
<b>I/O Standard</b>	3x GbE, 2x Display Port, 4x USB3.0	<i>3x GbE, 2x Display Port, 4x USB3.0</i>
<b>Power Supply</b>	12-30VDC Input	<i>12-30VDC Input</i>
<b>Cooling</b>	Fanless passive cooling	<i>Fanless passive cooling</i>
<b>Operating Temperature</b>	0°C - 50°C ambient (UL listed 0°C - 45°C) (**)	<i>0°C - 50°C ambient (UL listed 0°C - 45°C) (**)</i>
<b>Operating Altitude</b>	Up to 3000m (9900 ft)	<i>Up to 3000m (9900 ft)</i>
<b>Storage Altitude</b>	Up to 5000m (16500 ft)	<i>Up to 5000m (16500 ft)</i>
<b>Humidity</b>	10%-90% @ 39°C, non condensing	<i>10%-90% @ 39°C, non condensing</i>
<b>OS Support</b>	Windows7 incl Embedded, Windows8.1 Pro, Windows10 IoT, Linux Ubuntu	<i>Windows7 incl Embedded, Windows8.1 incl Embedded, Linux, Windows XP (limited), Windows10</i>
<b>Certification</b>	CE, cULus, Design to meet FCC	<i>CE</i>
<b>Protection class</b>	Front: IP65, Housing IP20	<i>Front: IP65, Housing IP20</i>
<b>EMC</b>	EN55022 class B	<i>EN55022 class B</i>
<b>Options</b> <i>(Further options on request)</i>	8GB RAM CF/SD Card Adapter SD Card Memory 4GB, 16GB, 32GB, 64GB mSATA SSD 32GB, 64GB, 128GB, 256GB, 512GB 2x COM (RS232, RS422, RS485) Audio with amplifier (2x 3W) CF Card Memory, RFID, WiFi (on demand)	<i>8GB RAM CF/SD Card Adapter SD Card Memory 4GB, 16GB, 32GB, 64GB mSATA SSD 32GB, 64GB, 128GB, 256GB, 512GB 2x COM (RS232, RS422, RS485) Audio with amplifier (2x 3W) CF Card Memory, RFID, WiFi (on demand)</i>

(\*\* except panel pc in size 23.8": operating temperature 0-45°C ambient)

<b>CPU</b>	<b>Intel® Skylake ULT Core™ i5-6300U</b>	<b>Intel® Kaby Lake ULT Core™ i5-7300U</b>
<b>Memory</b>	4GB DDR4 SO-DIMM	4GB DDR4 SO-DIMM
<b>BIOS</b>	AMI uEFI BIOS	AMI uEFI BIOS
<b>Hardware Monitor</b>	Temperature, Voltages	Temperature, Voltages
<b>Watchdog</b>	Programmable WDT to generate System reset event	Programmable WDT to generate System reset event
<b>RTC</b>	Processor integrated RTC	Processor integrated RTC
<b>I/O Standard</b>	3x, 2x Display Port, 4x USB3.0	3x GbE, 2x Display Port, 4x USB3.0
<b>Power Supply</b>	12-30VDC Input	12-30VDC Input
<b>Cooling</b>	Fanless passive cooling	Fanless passive cooling
<b>Operating Temperature</b>	0°C - 50°C ambient (UL listed 0°C - 45°C) (**)	0°C - 50°C ambient (UL listed 0°C - 45°C) (**)
<b>Operating Altitude</b>	Up to 3000m (9900 ft)	Up to 3000m (9900 ft)
<b>Storage Altitude</b>	Up to 5000m (16500 ft)	Up to 5000m (16500 ft)
<b>Humidity</b>	10%-90% @ 39°C, non condensing	10%-90% @ 39°C, non condensing
<b>OS Support</b>	Windows7 incl Embedded, Windows10 IoT, Linux Ubuntu	Windows10 IoT, Linux Ubuntu
<b>Certification</b>	CE, cULus, Design to meet FCC	CE, cULus, Design to meet FCC
<b>Protection class</b>	Front: IP65, Housing IP20	Front: IP65, Housing IP20
<b>EMC</b>	EN55022 class B	EN55022 class B
<b>Options</b> <i>(Further options on request)</i>	8GB or 16GB RAM M.2 SSD 64GB, 128GB, 256GB, 512GB 2x COM (RS232, RS422, RS485) Audio with amplifier (2x 3W) RFID, WiFi (on demand)	8GB or 16GB RAM M.2 SSD 64GB, 128GB, 256GB, 512GB 2x COM (RS232, RS422, RS485) Audio with amplifier (2x 3W) RFID, WiFi (on demand)

# FLATMAN Panel PC

Panel PC in full metal housing or built-in-variant with Intel® Processor BayTrail / Haswell or new Generation Apollo Lake / Skylake /Kaby Lake

## Order Information

### Example:

EN00-Z11100-01

(FLATMAN ECO 10.4" with Intel® BayTrail Celeron Quad Core J1900 resistive touch in full metal housing with 4GB RAM with 32GB mSATA; (without other options)

**EN00-yyyyyy-xx**

①      ②   ③④   ⑤      ⑥

① - Internal Code

② - Display Size/CPU

Z1 = 10.4" with Intel® BayTrail Celeron Quad Core J1900 inside  
Z2 = 12.1" with Intel® BayTrail Celeron Quad Core J1900 inside  
Z3 = 15.0" with Intel® BayTrail Celeron Quad Core J1900 inside  
Z4 = 15.6" with Intel® BayTrail Celeron Quad Core J1900 inside  
Z5 = 17.0" with Intel® BayTrail Celeron Quad Core J1900 inside  
Z6 = 18.5" with Intel® BayTrail Celeron Quad Core J1900 inside  
Z7 = 19.0" with Intel® BayTrail Celeron Quad Core J1900 inside  
Z8 = 21.5" with Intel® BayTrail Celeron Quad Core J1900 inside  
ZH = 23.8" with Intel® BayTrail Celeron Quad Core J1900 inside  
Z9 = 15.6" with Intel® Haswell ULT, i5-4300U inside  
ZA = 17.0" with Intel® Haswell ULT, i5-4300U inside  
ZB = 18.5" with Intel® Haswell ULT, i5-4300U inside  
ZC = 19.0" with Intel® Haswell ULT, i5-4300U inside  
ZD = 21.5" with Intel® Haswell ULT, i5-4300U inside  
ZE = 15.0" with Intel® Haswell ULT, i5-4300U inside  
ZF = 12.1" with Intel® Haswell ULT, i5-4300U inside  
ZG = 10.4" with Intel® Haswell ULT, i5-4300U inside  
ZJ = 23.8" with Intel® Haswell ULT, i5-4300U inside

*Option variant with Intel® Braswell CPU Intel® Broadwell on request, ask for it at our sales department*

Display Size/CPU

Y1 = 10.4" with Intel® Apollo Lake Pentium® N4200 inside  
Y2 = 12.1" with Intel® Apollo Lake Pentium® N4200 inside  
Y3 = 15.0" with Intel® Apollo Lake Pentium® N4200 inside  
Y4 = 15.6" with Intel® Apollo Lake Pentium® N4200 inside  
Y5 = 17.0" with Intel® Apollo Lake Pentium® N4200 inside  
Y6 = 18.5" with Intel® Apollo Lake Pentium® N4200 inside  
Y7 = 19.0" with Intel® Apollo Lake Pentium® N4200 inside  
Y8 = 21.5" with Intel® Apollo Lake Pentium® N4200 inside  
YH = 23.8" with Intel® Apollo Lake Pentium® N4200 inside

Y9 = 15.6" with Intel® Skylake ULT, Core™ i5-6300U inside  
YA = 17.0" with Intel® Skylake ULT, Core™ i5-6300U inside  
YB = 18.5" with Intel® Skylake ULT, Core™ i5-6300U inside  
YC = 19.0" with Intel® Skylake ULT, Core™ i5-6300U inside  
YD = 21.5" with Intel® Skylake ULT, Core™ i5-6300U inside  
YE = 15.0" with Intel® Skylake ULT, Core™ i5-6300U inside  
YF = 12.1" with Intel® Skylake ULT, Core™ i5-6300U inside  
YG = 10.4" with Intel® Skylake ULT, Core™ i5-6300U inside  
YJ = 23.8" with Intel® Skylake ULT, Core™ i5-6300U inside

# FLATMAN Panel PC

Panel PC in full metal housing or built-in-variant with Intel® Processor BayTrail / Haswell or new Generation Apollo Lake / Skylake /Kaby Lake

Display Size/CPU  
X9 = 15.6" with Intel® Kaby Lake ULT, Core™ i5-7300U inside  
XA = 17.0" with Intel® Kaby Lake ULT, Core™ i5-7300U inside  
XB = 18.5" with Intel® Kaby Lake ULT, Core™ i5-7300U inside  
XC = 19.0" with Intel® Kaby Lake ULT, Core™ i5-7300U inside  
XD = 21.5" with Intel® Kaby Lake ULT, Core™ i5-7300U inside  
XE = 15.0" with Intel® Kaby Lake ULT, Core™ i5-7300U inside  
XF = 12.1" with Intel® Kaby Lake ULT, Core™ i5-7300U inside  
XG = 10.4" with Intel® Kaby Lake ULT, Core™ i5-7300U inside  
XJ = 23.8" with Intel® Kaby Lake ULT, Core™ i5-7300U inside

③ - Touch Technology: 0 = with protection glass  
1 = Touch resistive  
2 = Touch PCAP  
3 = with protection glass and stainless steel front  
4 = Touch resistive and stainless steel front  
5 = Touch PCAP and stainless steel front  
6 = Touch PCAP V2  
7 = with protection glass V2

④ - Mounting Variant: 1 = PPC full metal  
2 = PPC built-in-mounting

⑤ - Options: counted on demand, possible options are

- 8GB RAM
- 16GB RAM
- CF/SD Card Adapter
- SD Card 8GB – 16GB – 32GB – 64GB
- CF Card 8GB – 16GB – 32GB
- Up to 2x COM (RS232, RS422, RS485)
- mSATA SSD 32GB – 64GB – 128GB – 256GB – 512GB
- M.2 SSD 64GB, 128GB, 256GB, 512GB
- Audio with amplifier (2x 3W)
- WiFi
- RFID
- Display-Option (full HD; XGA; ...)

⑥ - Internal Code (Revision)

# FLATMAN Panel PC

Panel PC in full metal housing or built-in-variant with Intel® Processor BayTrail / Haswell or new Generation Apollo Lake / Skylake /Kaby Lake

## Additional Equipment

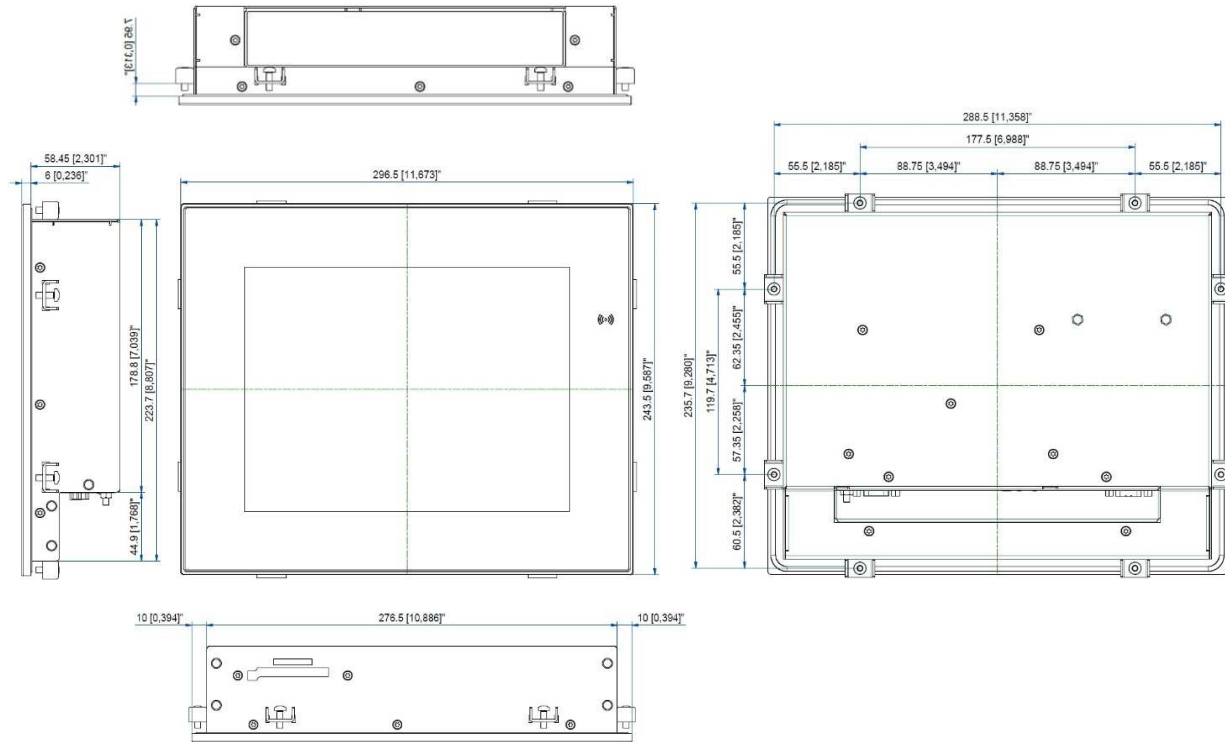
Part#	Description
PR22-100004-01	Adapter Kabel HDMI - Displayport, 20cm, 4K aktiv, Delock: 62607
PR22-100005-01	Adapter HDMI - Displayport 1.2, 4K aktiv, Delock: 65573
PR22-100006-01	Adapter DVI-D - Displayport 1.1, Delock: 65257
PR22-100007-01	Adapter VGA - Displayport 1.1, Delock: 65567
PR22-100008-01	Adapter DVI-I – HDMI, Delock: 65467
840-0758	DP Kabel 1,8m
840-0759	DP Kabel 3m
840-0760	DP Kabel 5m
840-0598	Adapter VGA / DVI
840-0039	VGA/SVGA cable 1,8m/2,0m
840-0273	USB-cable 1,8m, Type A – Type B
840-0134	DVI-cable 2m
ER40-100001-01	Set Power supply 24VDC /w Phoenix Connector
EE04-100001-01	Phoenix Power Subcon w/ housing

# FLATMAN Panel PC

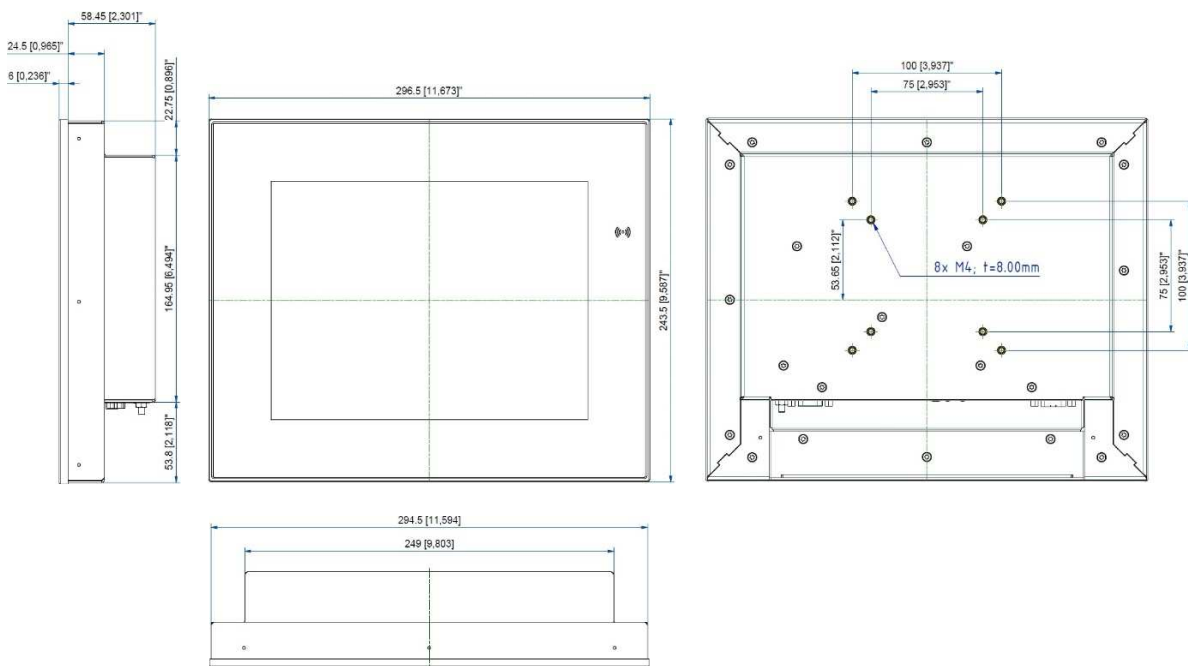
Panel PC in full metal housing or built-in-variant with Intel® Processor BayTrail / Haswell or new Generation Apollo Lake / Skylake /Kaby Lake

## Dimension Drawings

### 10.4" built-in-variant



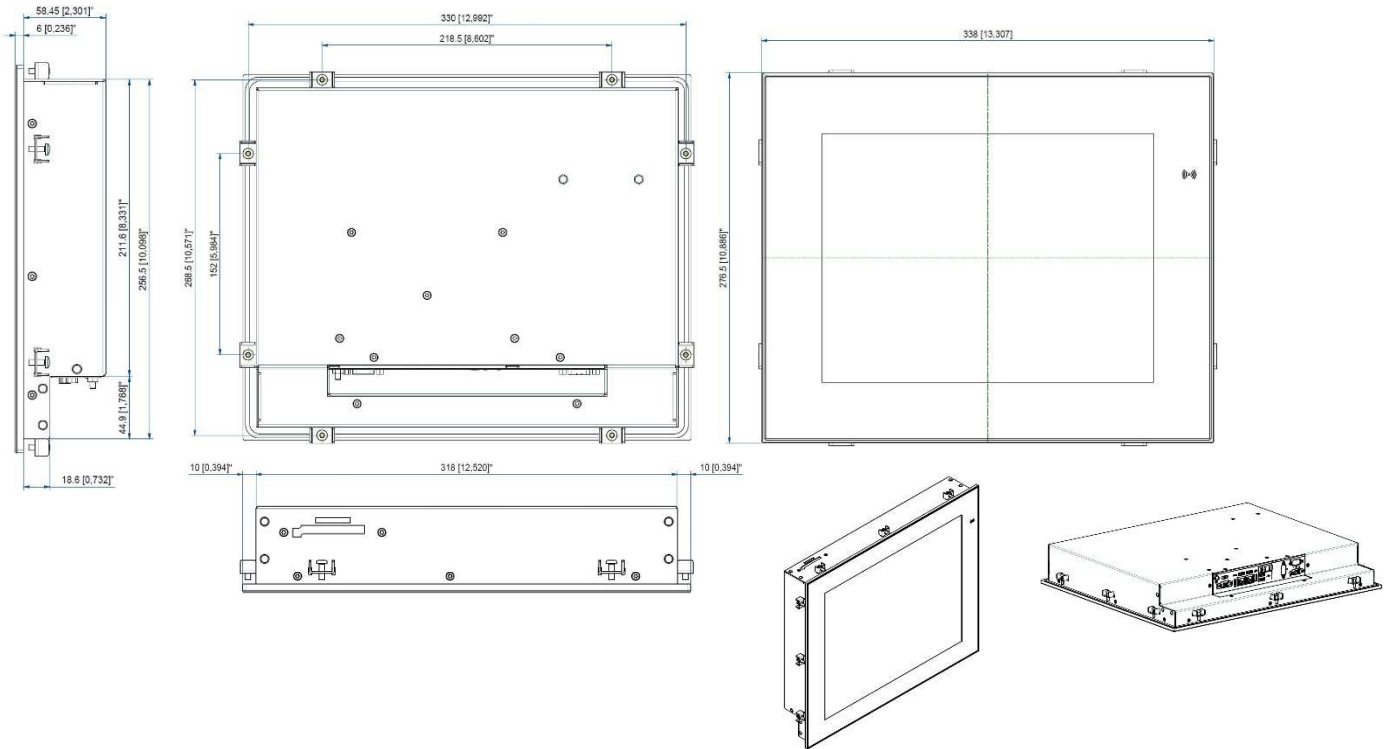
### 10.4" full metal



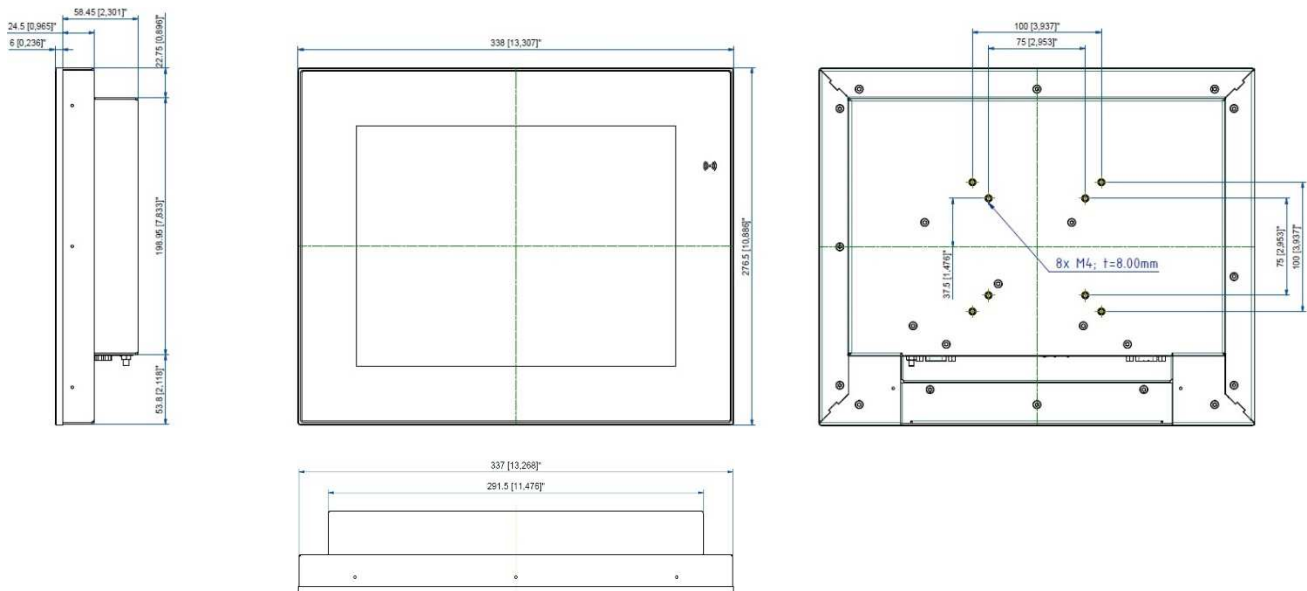
# FLATMAN Panel PC

Panel PC in full metal housing or built-in-variant with Intel® Processor BayTrail / Haswell or new Generation Apollo Lake / Skylake /Kaby Lake

## 12.1" built-in-variant



## 12.1" full metal

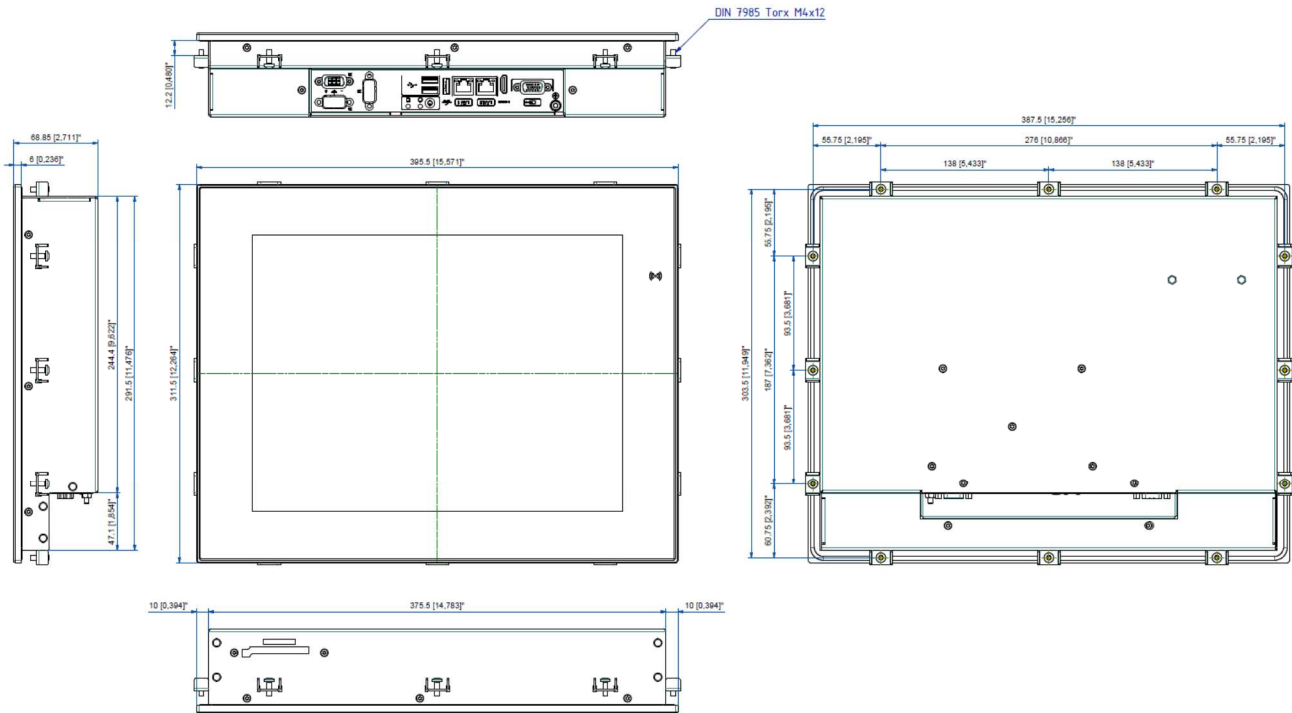




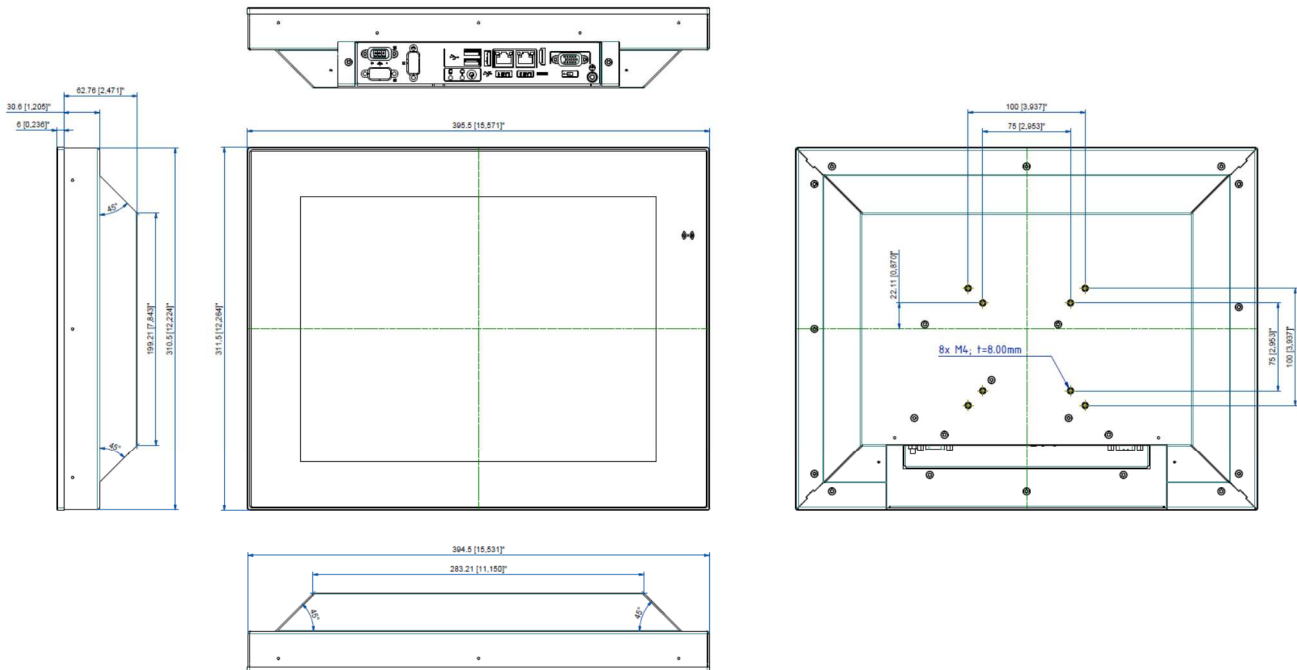
# FLATMAN Panel PC

Panel PC in full metal housing or built-in-variant with Intel® Processor BayTrail / Haswell or new Generation Apollo Lake / Skylake /Kaby Lake

## 15.0" built-in-variant



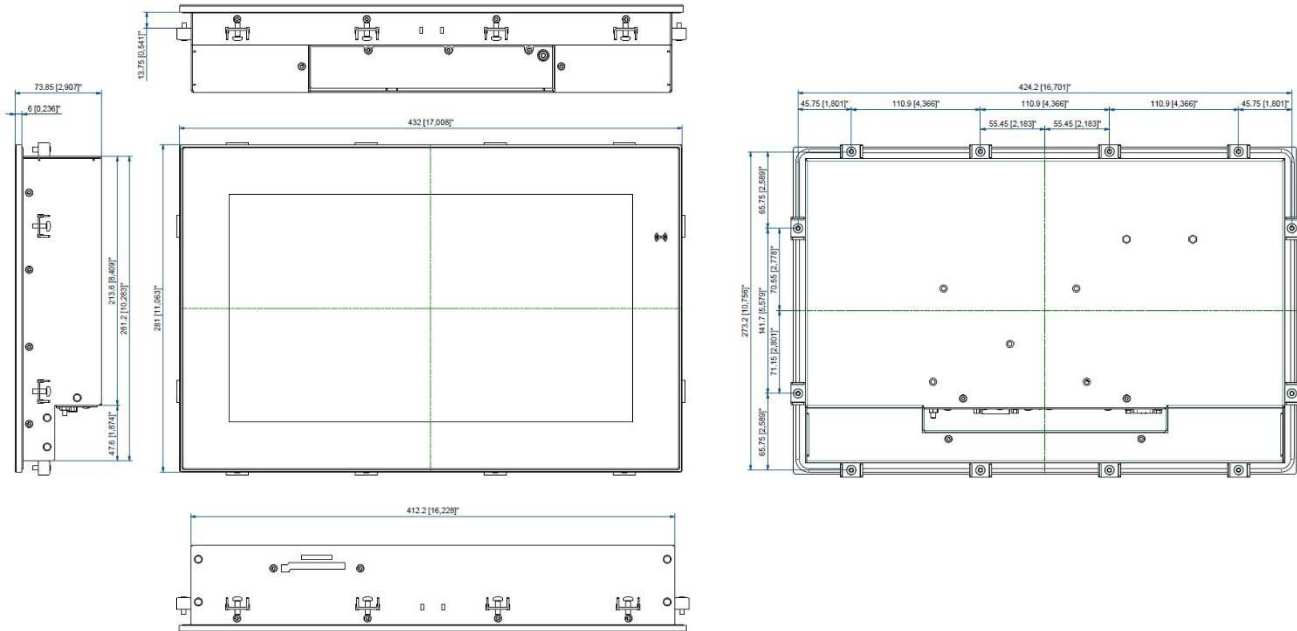
## 15.0" full metal



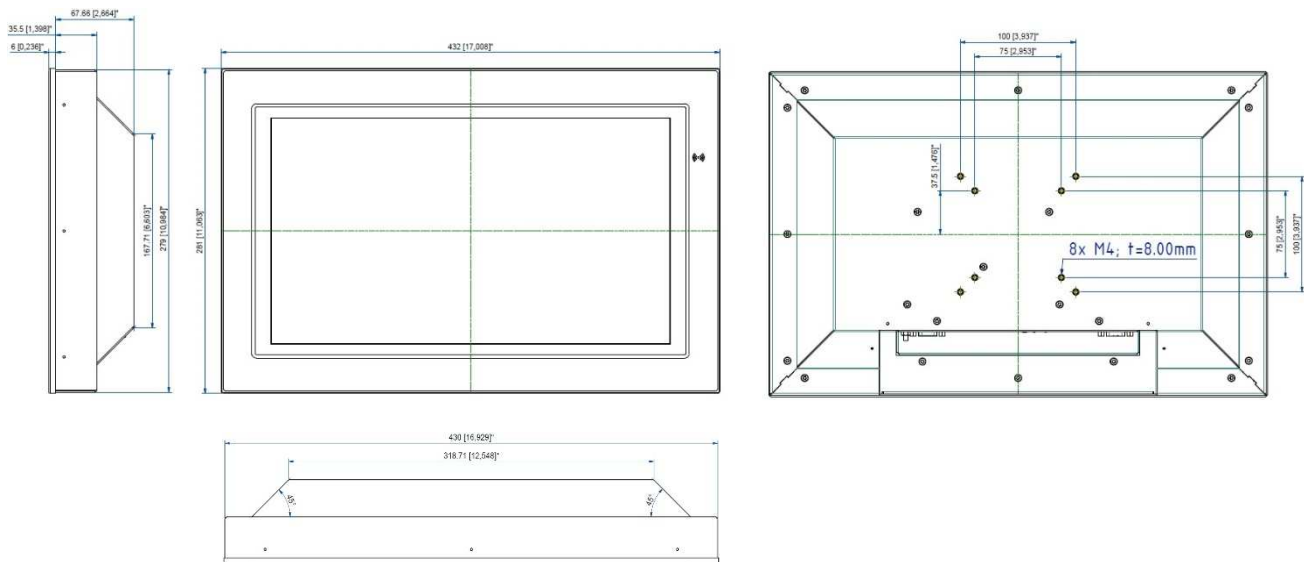
# FLATMAN Panel PC

Panel PC in full metal housing or built-in-variant with Intel® Processor BayTrail / Haswell or new Generation Apollo Lake / Skylake /Kaby Lake

## 15.6" built-in-variant



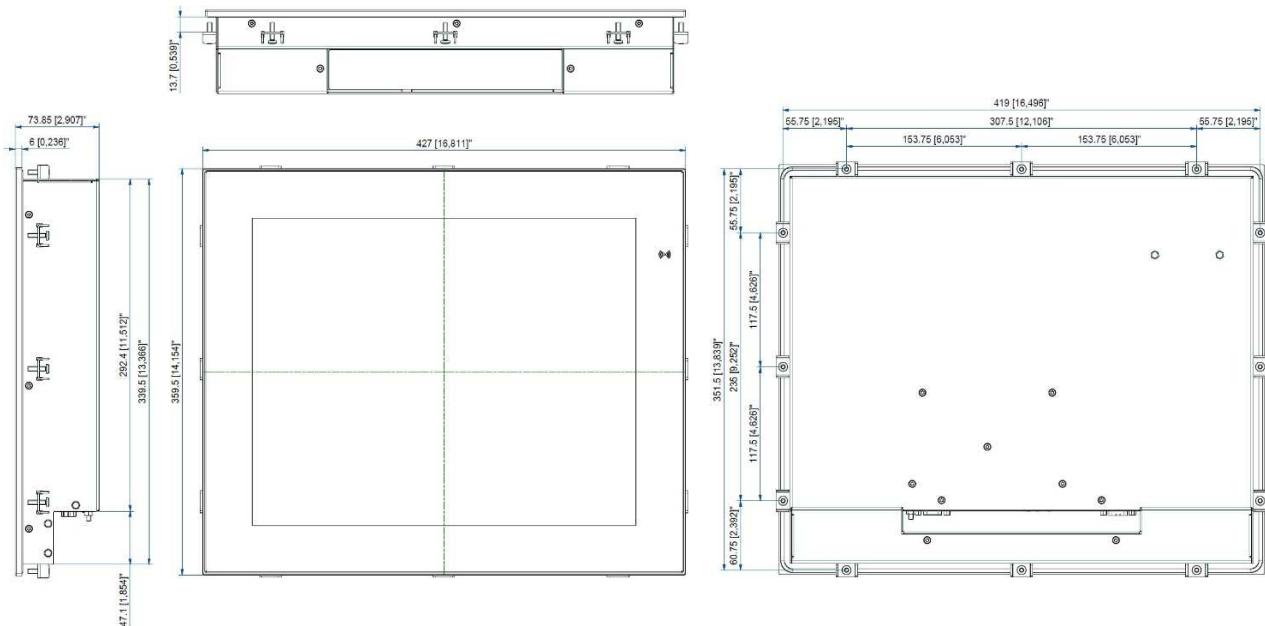
## 15.6" full metal



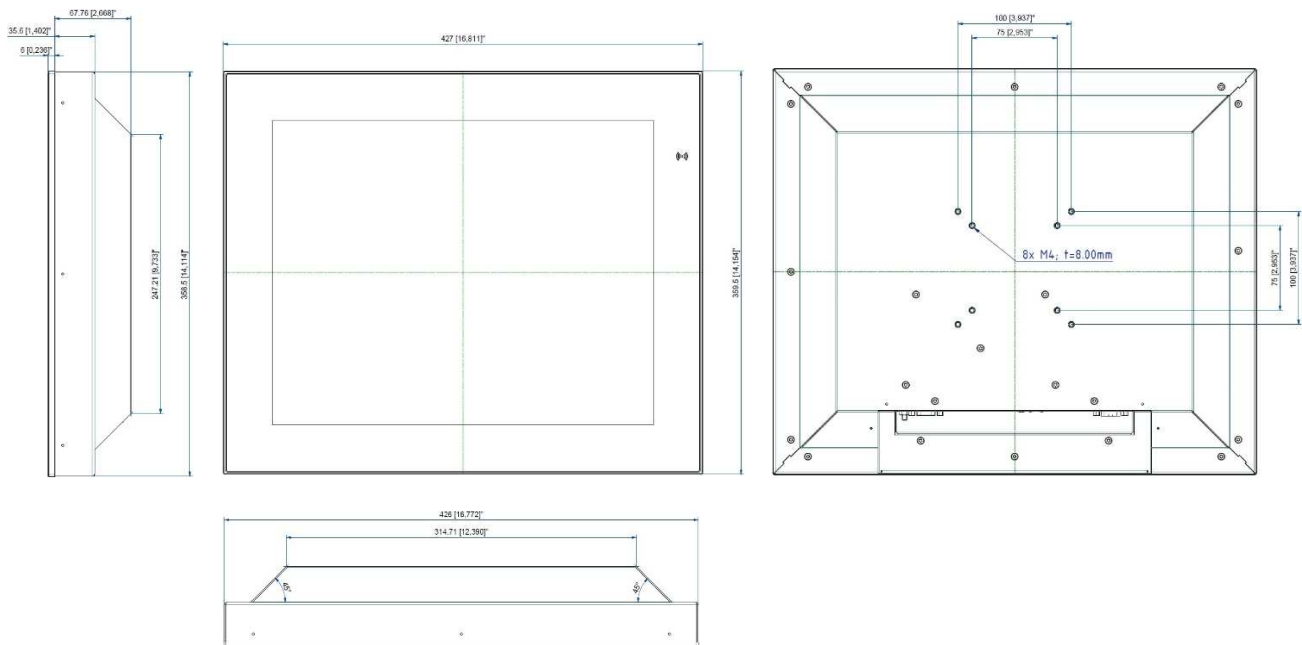
# FLATMAN Panel PC

Panel PC in full metal housing or built-in-variant with Intel® Processor BayTrail / Haswell or new Generation Apollo Lake / Skylake /Kaby Lake

## 17.0" built-in-variant



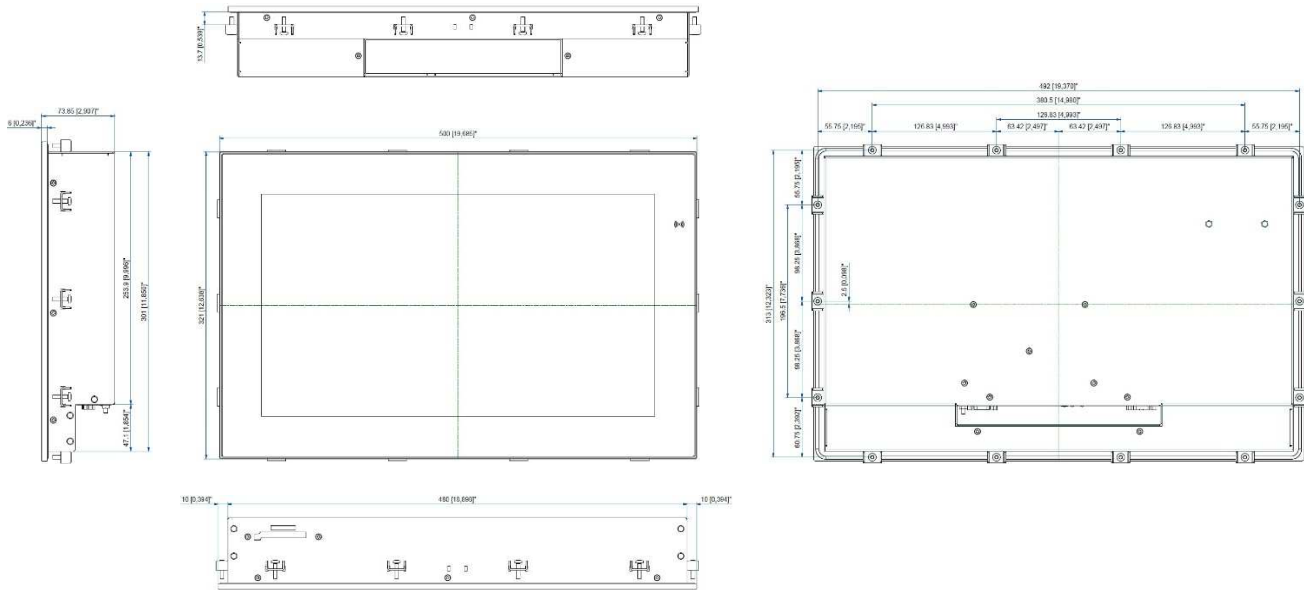
## 17.0" full metal



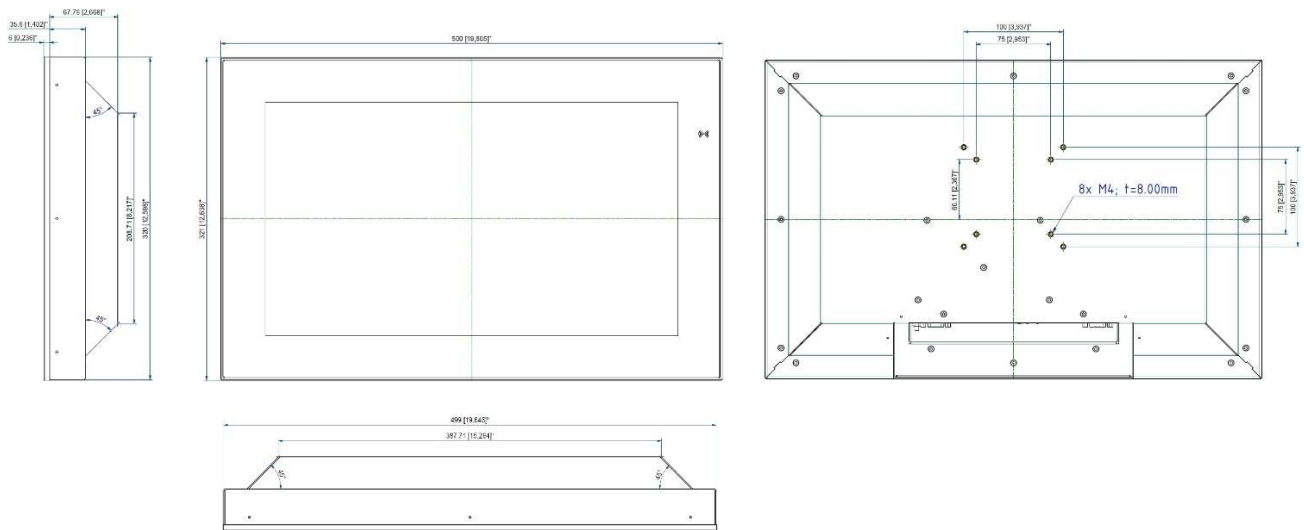
# FLATMAN Panel PC

Panel PC in full metal housing or built-in-variant with Intel® Processor BayTrail / Haswell or new Generation Apollo Lake / Skylake /Kaby Lake

## 18.5" built-in-variant



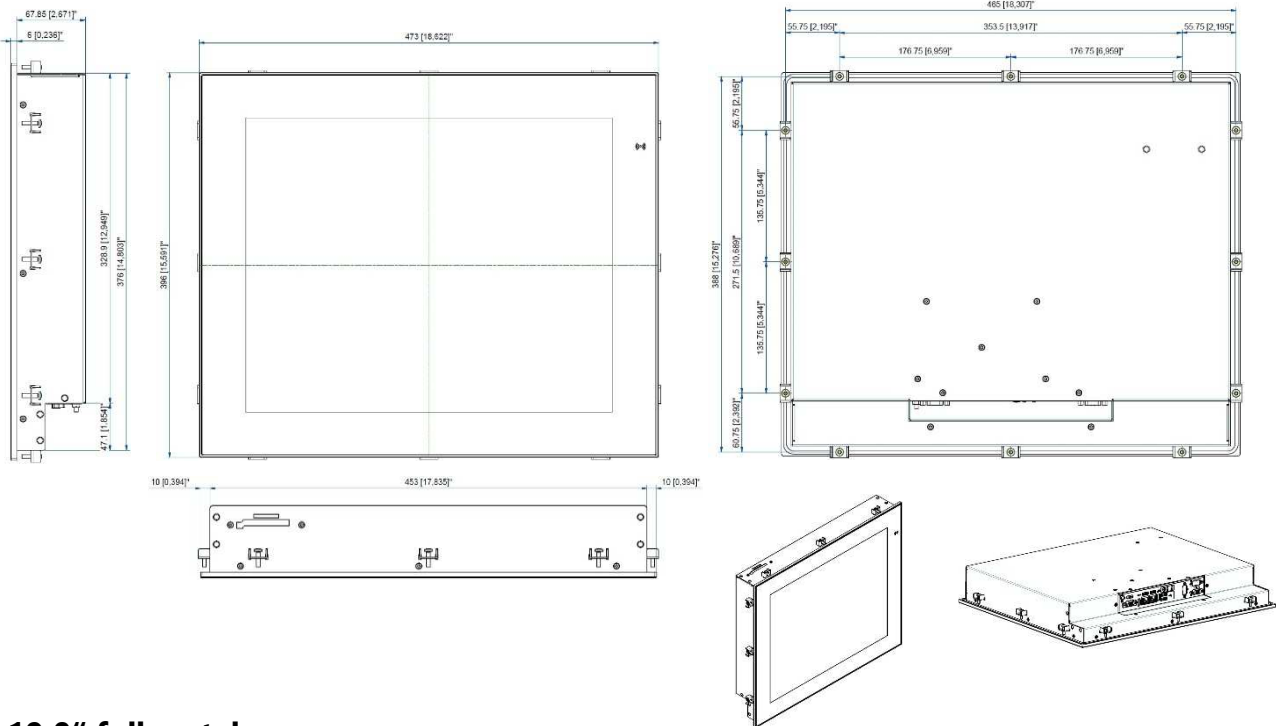
## 18.5" full metal



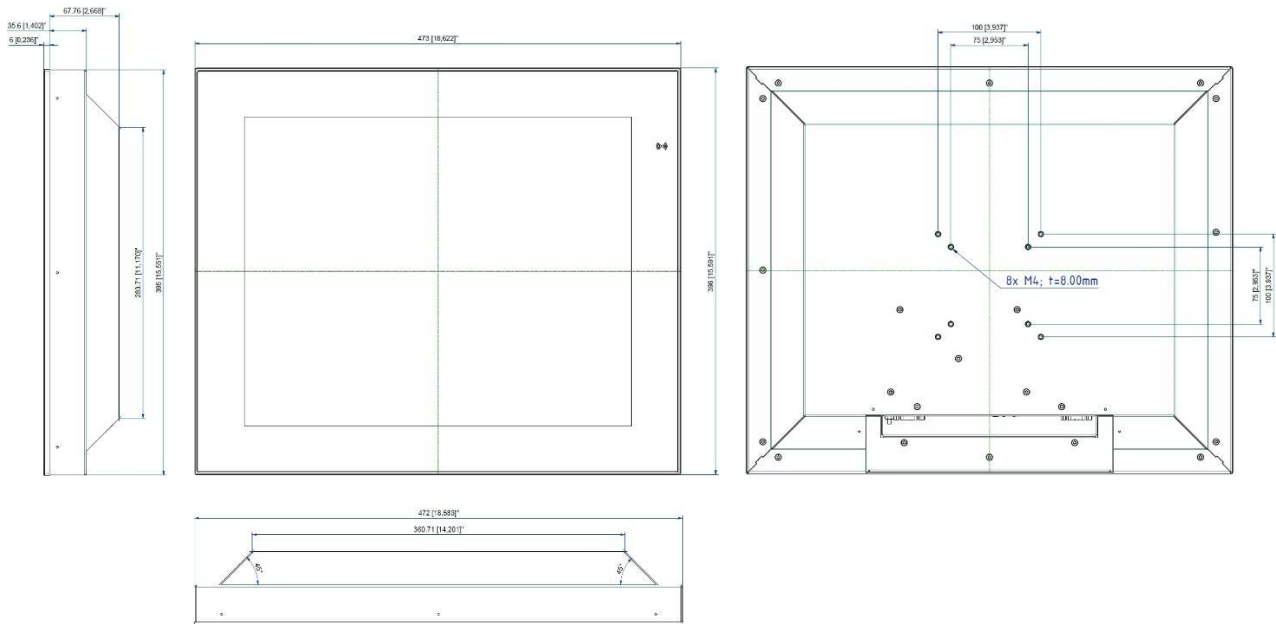
# FLATMAN Panel PC

Panel PC in full metal housing or built-in-variant with Intel® Processor BayTrail / Haswell or new Generation Apollo Lake / Skylake /Kaby Lake

## 19.0" built-in-variant



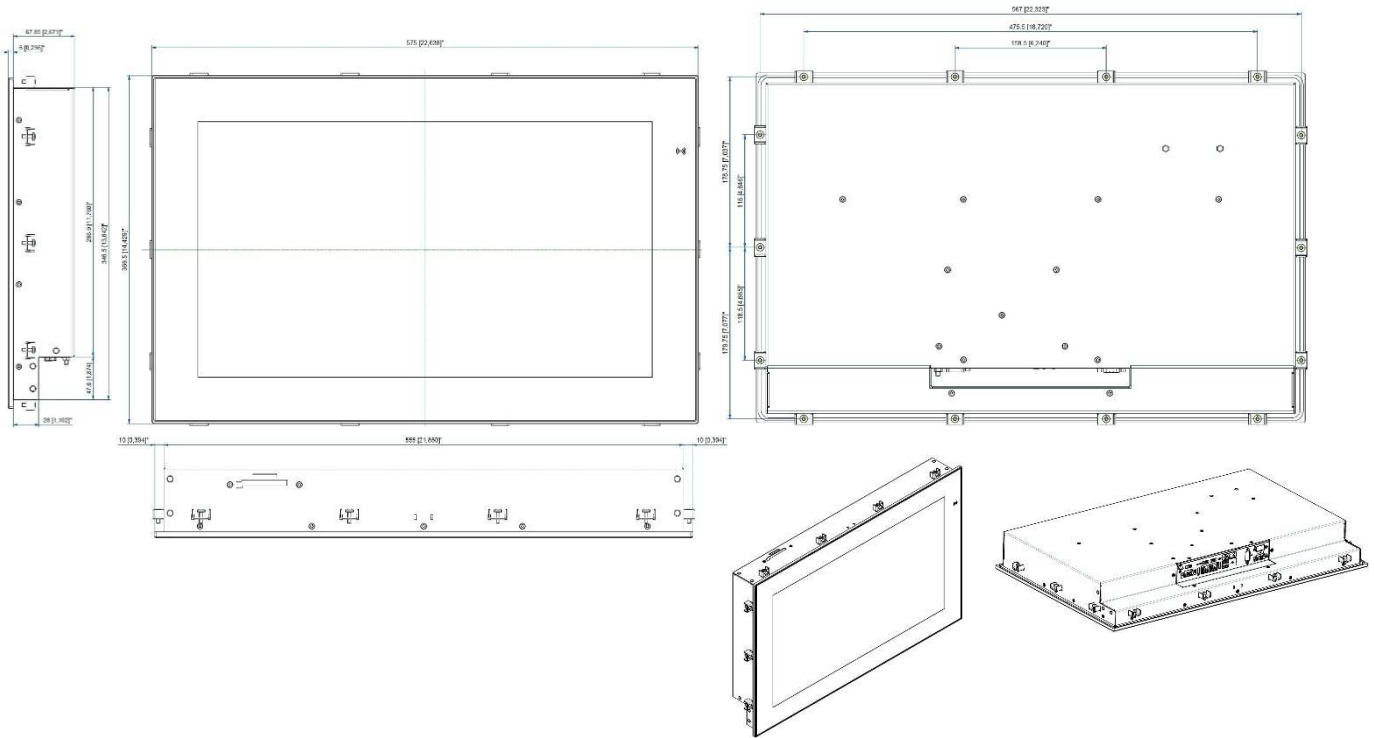
## 19.0" full metal



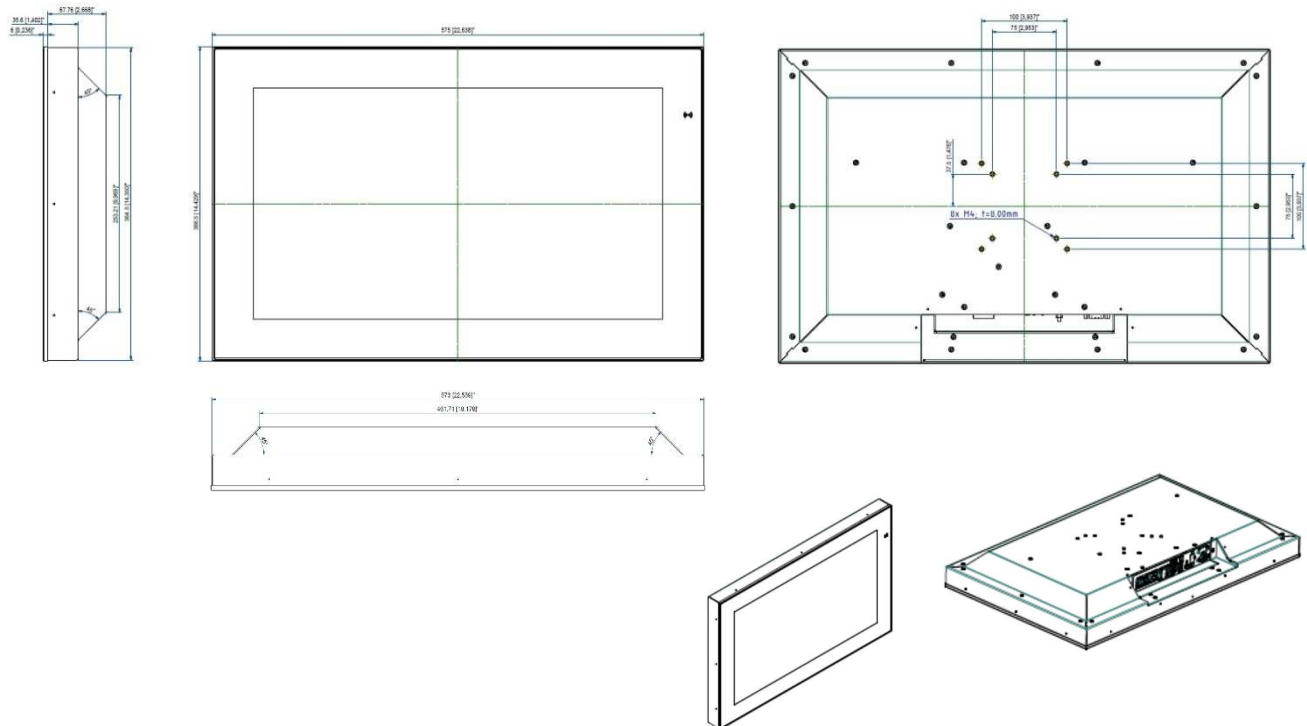
# FLATMAN Panel PC

Panel PC in full metal housing or built-in-variant with Intel® Processor BayTrail / Haswell or new Generation Apollo Lake / Skylake /Kaby Lake

## 21.5" built-in-variant



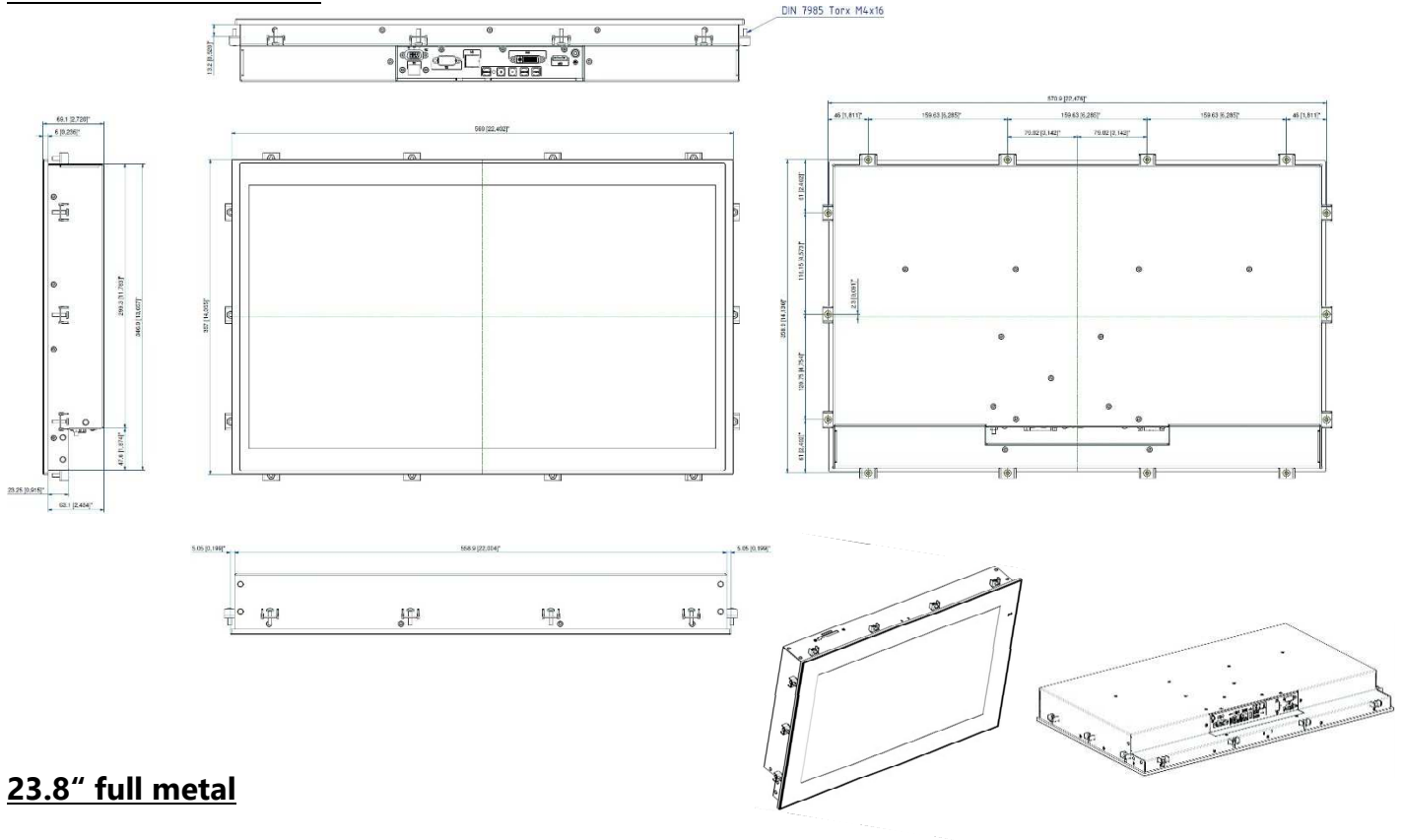
## 21.5" full metal



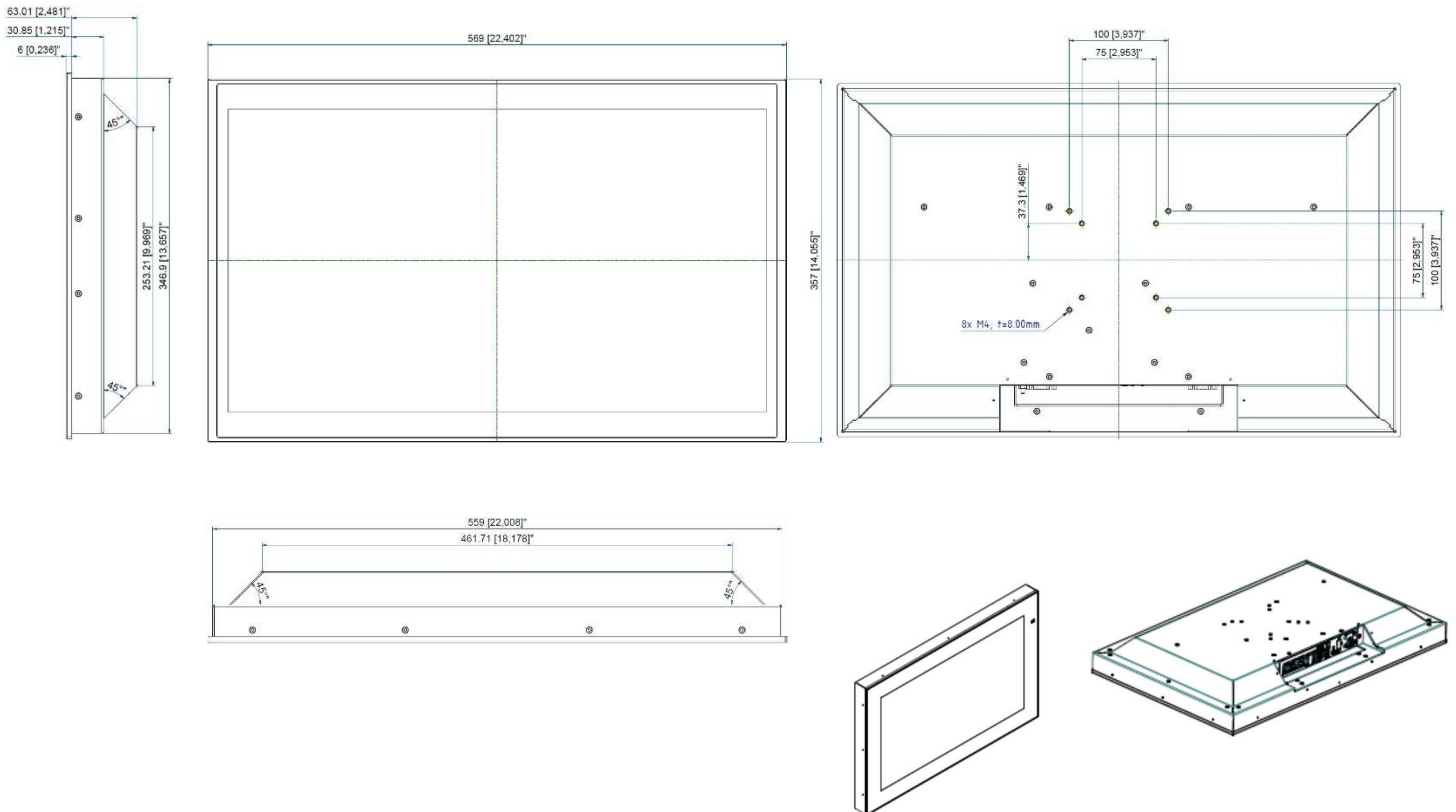
# FLATMAN Panel PC

Panel PC in full metal housing or built-in-variant with Intel® Processor BayTrail / Haswell or new Generation Apollo Lake / Skylake /Kaby Lake

## 23.8" built-in-variant



## 23.8" full metal



# FLATMAN Panel PC

Panel PC in full metal housing or built-in-variant with Intel® Processor BayTrail / Haswell or new Generation Apollo Lake / Skylake /Kaby Lake

## Connectors

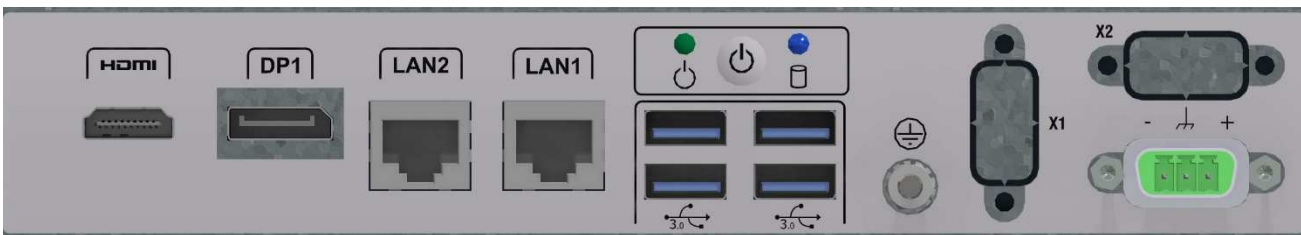
### Panel PC BayTrail variant



### Panel PC Haswell variant



### Panel PC Apollo Lake variant



### Panel PC Skylake / Kaby Lake variant

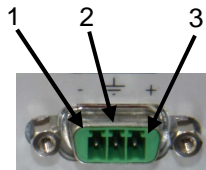




# FLATMAN Panel PC

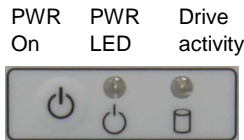
Panel PC in full metal housing or built-in-variant with Intel® Processor BayTrail / Haswell or new Generation Apollo Lake / Skylake /Kaby Lake

## PWR: Input Power Connector



Pin	Signal
1	GND
2	Shield
3	VCC

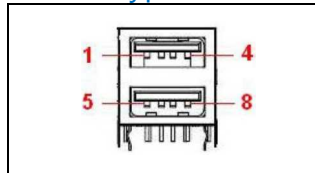
Mating connector	
Phoenix Contact PSC 1,5/ 3-F Order# 1841909	



left LED: Power	
off	No Power
green	active
Green blinking	Standby

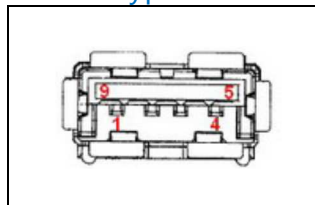
right LED: Drive activity	
off	No drive inside
Green blinking	Drive active

## USB2.0 Type-A Connector



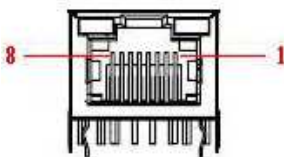
Pin	Signal Name	Pin	Signal Name
1	+USB_VCC	5	+USB_VCC
2	USBA_A-	6	USBB_B-
3	USBA_A+	7	USBB_B+
4	GND	8	GND

## USB3.0 Type-A Connector



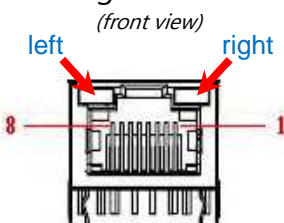
Pin	Signal Name	Pin	Signal Name
1	+USB_VCC	5	USB_RX-
2	USB_D-	6	USB_RX+
3	USB_D+	7	GND
4	GND	8	USB_TX-
		9	USB_TX+

## LAN: GbE RJ-45 Connector



Pin	Signal Name	Pin	Signal Name
1	TX1+	5	TX3-
2	TX1-	6	TX2-
3	TX2+	7	TX4+
4	TX3+	8	TX4-

## LED Diagram of LAN Connectors:



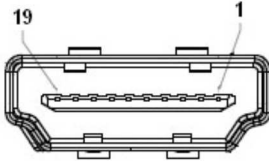
left LED: activity / link	
off	No LAN connectivity
yellow	link
blinking	activity

right LED: 10/100/1000	
off	10 Mbit
green	100 Mbit
orange	1 GbE

# FLATMAN Panel PC

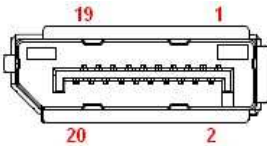
Panel PC in full metal housing or built-in-variant with Intel® Processor BayTrail / Haswell or new Generation Apollo Lake / Skylake /Kaby Lake

## HDMI Connector



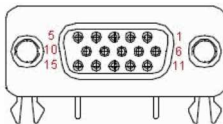
Pin	Signal Name
1	TMDS Data2+
2	GND
3	TMDS Data2-
4	TMDS Data1+
5	GND
6	TMDS Data1-
7	TMDS Data0+
8	GND
9	TMDS Data0-
10	TMDS Clock+
11	GND
12	TMDS Clock-
13	Reserved
14	Reserved
15	DDC_CLK
16	DDC_DATA
17	GND
18	+5 V Power
19	Hot Plug Detect

## DP Connector



Pin	Signal	Pin	Signal
1	TX0+	11	GND
2	GND	12	TX3-
3	TX0-	13	GND
4	TX1+	14	GND
5	GND	15	AUX+
6	TX1-	16	GND
7	TX2+	17	AUX-
8	GND	18	HPD
9	TX2-	19	GND
10	TX3+	20	PWR

## DB15 VGA Connector



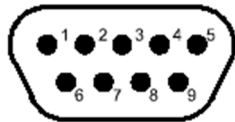
Pin	Signal Name	Pin	Signal Name
1	Red	2	Green
3	Blue	4	n.c.
5	GND	6	GND
7	GND	8	GND
9	VCC	10	GND
11	n.c.	12	DDC Data
13	Hsync	14	Vsync
15	DDC Clock		

# FLATMAN Panel PC

Panel PC in full metal housing or built-in-variant with Intel® Processor BayTrail / Haswell or new Generation Apollo Lake / Skylake /Kaby Lake

*Option: COM1 RS-232/422/485 (via internal cable connection to ECX-Board)*

*Option: COM2 RS-232/422/485 (via internal cable connection to ECX-Board)*



Pin	RS-232	RS-422	Half Duplex RS-485	Full Duplex RS-485
1	DCD	Tx-	DATA-	Tx-
2	RxD	Tx+	DATA+	Tx-
3	TxD	Rx+	-	Rx+
4	DTR	Rx-	-	Rx-
5	GND	GND	GND	GND
6	DSR	-	-	-
7	RTS	-	-	-
8	CTS	-	-	-
9	RI	-	-	-