

400-H33I/E Series Chassis

PN 932-0016-00-A

Quick Reference

► Safety Instructions

Before handling the 400-H33I/E Series chassis, read the following instructions and safety guidelines to prevent damage to the product and to ensure your own personal safety. Refer to the installation instructions in this user's guide for all precautions and procedures.



WARNING



High voltages are present inside the chassis when the unit's power cord is plugged into an electrical outlet. The power supply(s) produce high voltages and energy hazards, which can cause bodily harm. Turn off system power, turn off the power supply, and then disconnect the power cord from its source before removing the chassis cover. (This does not apply when hot swapping parts.) Turning off the system power switch does not remove power to components.

When operating the computer, observe the following operating guidelines:

- ◆ To help prevent electric shock, plug computer power cables into properly grounded power sources. Use cables equipped with three-prong plugs to ensure proper grounding. Do not use adapter plugs or remove the grounding prong from the cable.
- ◆ Be sure nothing rests on chassis cables and that cables are not located where they can be stepped on or tripped over. Keep objects out of chassis openings. This can cause fire or electric shock by shorting out interior components.
- ◆ Maximum operating ambient temperature is up to 50 °C.
- ◆ Never restrict the airflow through the devices' fan or vents.
- ◆ When installing equipment into a rack, distribute the units evenly. Otherwise, hazardous conditions may be created by an uneven weight distribution.
- ◆ Connect the unit only to a properly rated supply circuit.
- ◆ Reliable grounding of rack-mounted equipment should be maintained.
- ◆ The ambient temperature within the rack may be greater than room ambient. Installation should not compromise the amount of air flow required for safe operation. Consideration should be given to the maximum rated ambient.

Thank you for purchasing your new chassis from Kontron.

► Introduction

Your Kontron chassis offers next generation levels of shock, vibration, and temperature protection; a modular design in a full-size ATX motherboard configuration with active power factor correction (PFC) enabled power supplies (input range:90-264VAC at 47-63 Mhz).

With dramatically lower prices, a more robust feature set, and higher reliability, your chassis offers the highest value in business critical systems today.

► Overview

This quick reference card provides an overview of your Kontron chassis' components and assembly instructions to help you get your system up and running quickly. Please refer to the user's guide on our web site at www.kontron.com for additional chassis information and detailed assembly instructions.

► Unpacking

- 1) After opening the box, save it and the packing material for possible future shipment.
- 2) Remove all items from the box. If any items listed on the purchase order are missing, notify Kontron customer service immediately.
- 3) Inspect the product for damage. If there is damage, notify Kontron customer service immediately. Refer to "Guarantee and Warranty Policy" in the manual for the return procedure.

► Rack Handle Installation

- 1) Secure each rack handle to the rack ears with two flat head screws (Figure 1).
- 2) Secure the rack ears to the door mounting plates on both sides of the chassis with two round head screws (Figure 1).

Rackmount Instructions

- 1) Remove the roller brackets from the included rack slides by extending them from the middle slide until you hear a 'click'. Using your thumb, press down on the tab facing the middle slide and remove the roller bracket. Mount to each side of the chassis (Figures 1 and 2).
- 2) Mount the front and rear brackets to the rack slides by aligning the large hole on the middle slide with the first and then the third smaller hole on the outer slide and loosely secure with two flat head screws, two lock washers, two flat washers, and two hex nuts per bracket (Figure 3). Do not tighten the brackets until after they are installed in a rack.
- 3) Mount the rack slides evenly to the vertical mounting rails in a rack with two screws securing each bracket in the front and rear (Figure 4). Tighten all screws.
- 4) With the rack slides in the extended position, guide the roller brackets (mounted on the chassis) onto the slides and ease them back to their original retracted position in the rack.

► Peripheral Connections

Connect the video (VGA), ethernet (LAN), keyboard and mouse cables to the appropriate locations on the I/O panel of the motherboard (Figure 5). Consult the documentation that came with your motherboard for more detailed instructions and connector locations (Figure 5).

► Power Cord Connections

Power Supply Switch.

After inserting the power cord into the plug on the power supply, be sure to turn the power supply switch to 1 (Standby) (Figure 6). If the switch is set to 0 (Off), no power will be available to power the system.

► Power On

- 1) To power on the unit, make sure that the power cord is connected to the power cord connector on the power supply and the power supply switch is set to 1 (Standby) (Figure 6).
- 2) Power on the monitor.
- 3) Press the momentary power switch located on the front panel of the chassis to power on the system. Refer to the front panel illustration on the other side of this document.

► Options

All optional equipment is pre-installed:

- ◆ Front Door
- ◆ Mezzanine Hard Drive Bracket

► Features

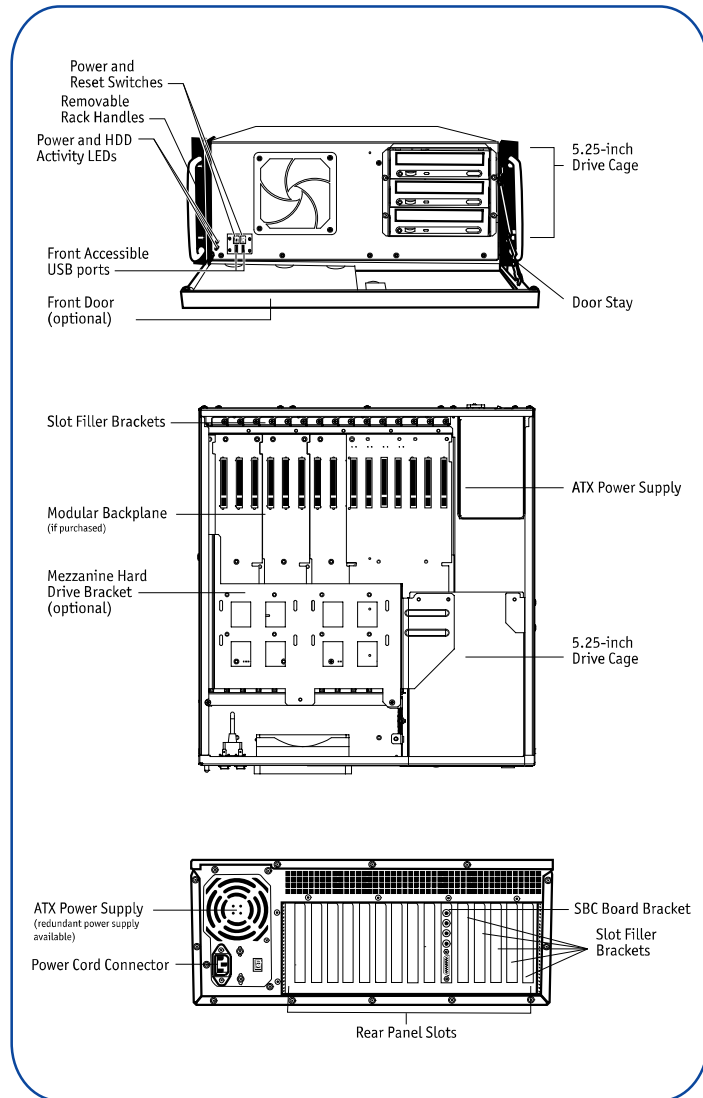


Figure 1. Rack Handle/Roller Bracket Installation

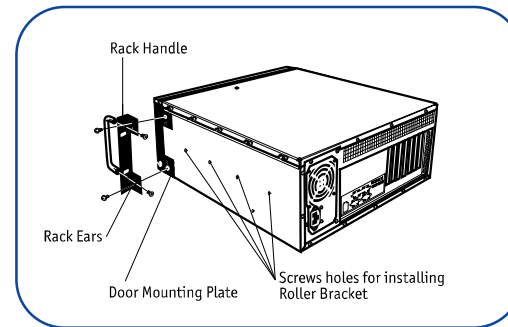


Figure 2. Roller Brackets

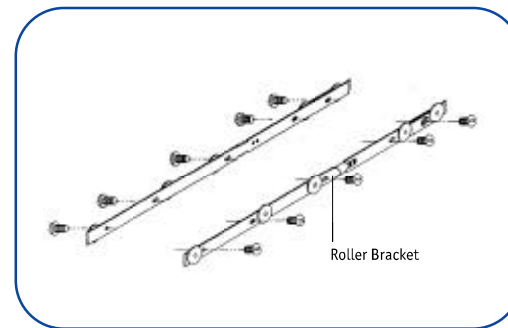


Figure 3. Rack Slide Assembly

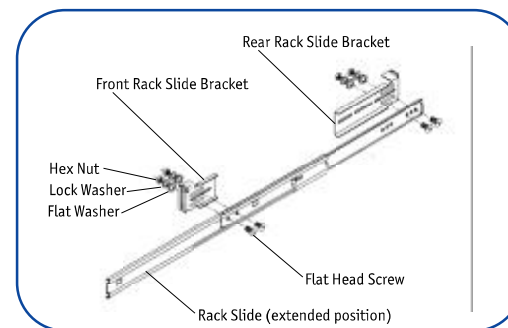


Figure 4. Rackmounting

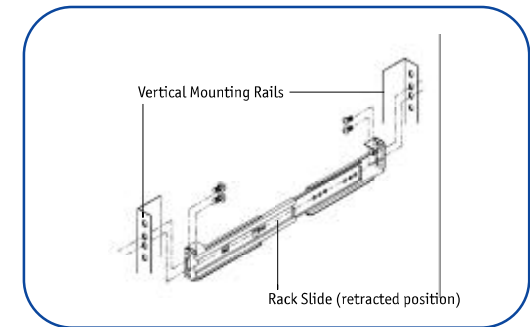


Figure 5. Peripheral Connections

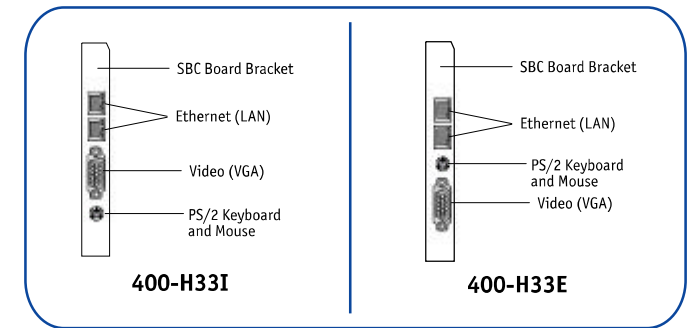


Figure 6. Power Cord Connection

