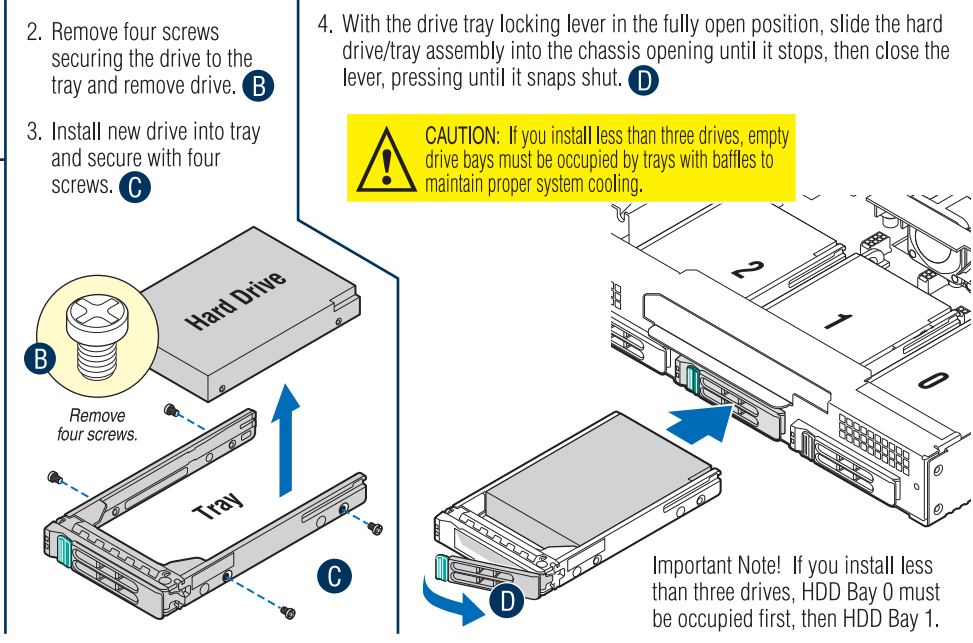
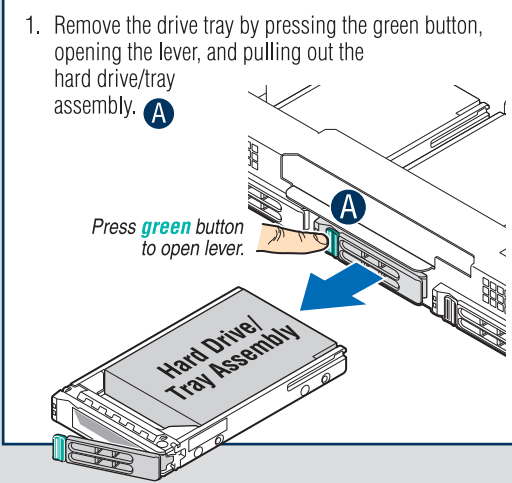


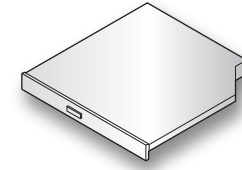
9 Servicing the Hard Disk Drives

Remove the bezel See Step 2
Remove the Hard Drive/Tray Assembly



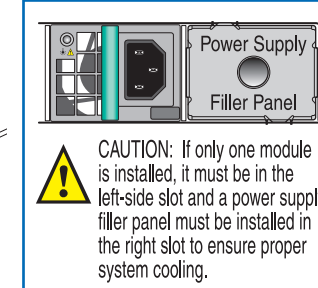
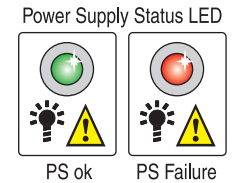
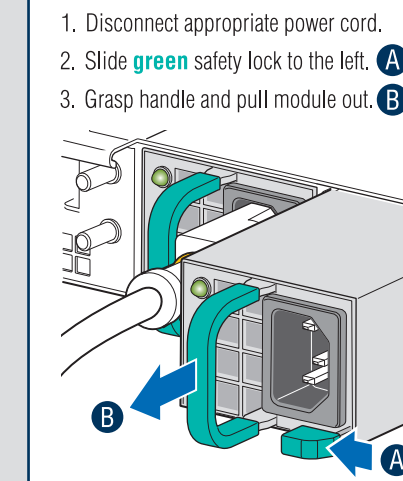
10 Installing an Optical Device (optional)

To install an optional optical device, see the Kontron Carrier Grade Server TIGW1U Product Guide on the CD accompanying your system.



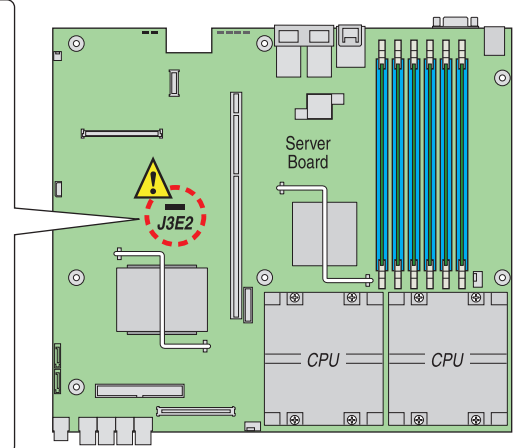
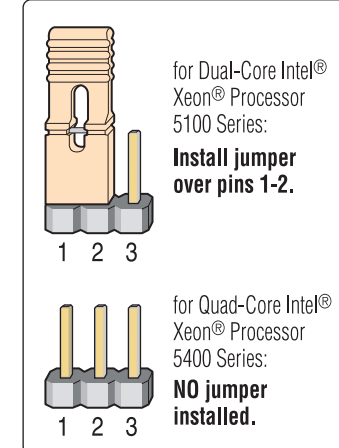
11 Replacing a Power Supply Module

IMPORTANT NOTES: To maintain hot-swap capability, make sure that an active power supply module is in BOTH chassis slots before replacing (hot-swapping) a power supply module. Check the status LED to determine which ps module has failed ... (see detail at right).



12 Setting the Processor Type Jumper

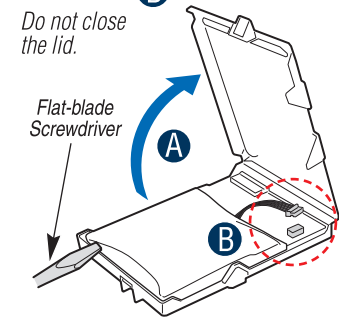
CAUTION: Jumper J3E2 must be configured to match your installed processor or your system will not boot properly.



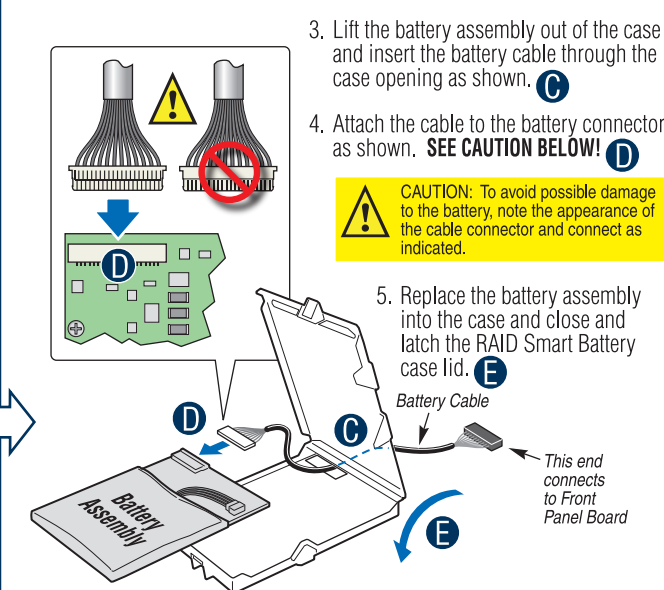
13 Installing Hardware RAID5 Components (optional)

Check Battery Connection

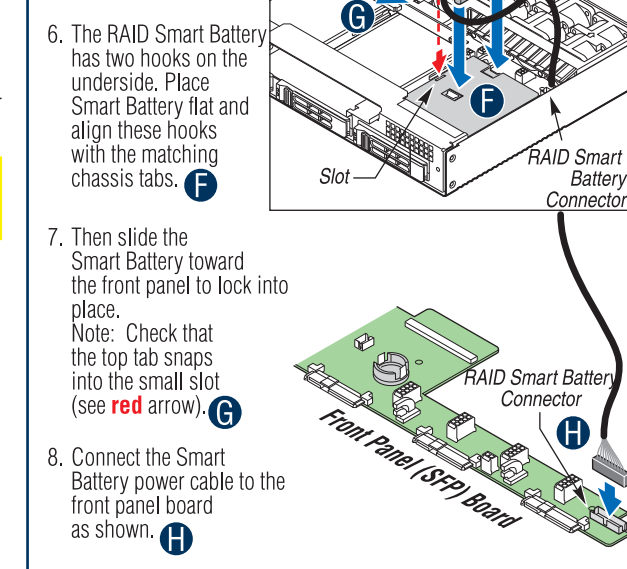
- The Intel RAID Smart Battery has an internal battery power cable. Open the Smart Battery case lid. If necessary, use a small flat-blade screwdriver to pry open each corner of the lid.
- If the battery power cable is not connected, connect the cable now.



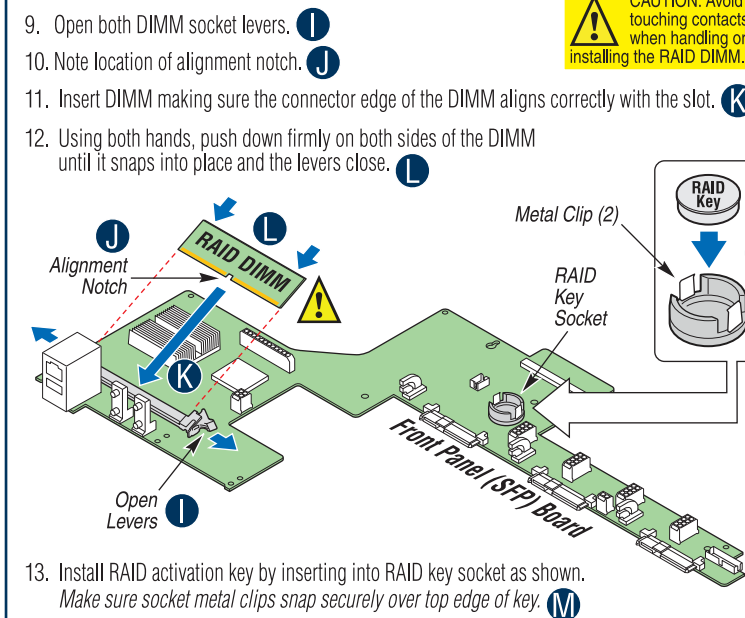
Connect RAID Battery Cable



Install RAID Smart Battery

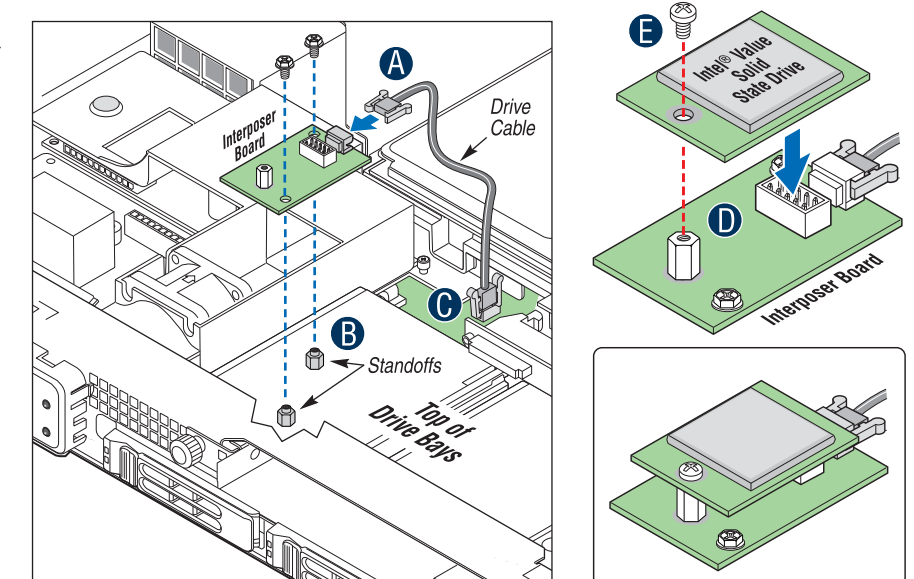


Install RAID DIMM and RAID Key



14 Installing an Intel Z-U130 Value Solid State Drive (optional)

- Plug one end of the Intel Z-U130 Value Solid State Drive cable into the interposer board as shown.
- Attach the interposer board to the top of the drive bay utilizing two screws and standoffs as shown.
- Plug the other end of the drive cable into the matching connector on the front panel (SFP) board.
- Plug the Intel Z-U130 Value Solid State Drive into the interposer board and align with the standoff.
- Attach drive to the standoff with screw as shown.



Reference

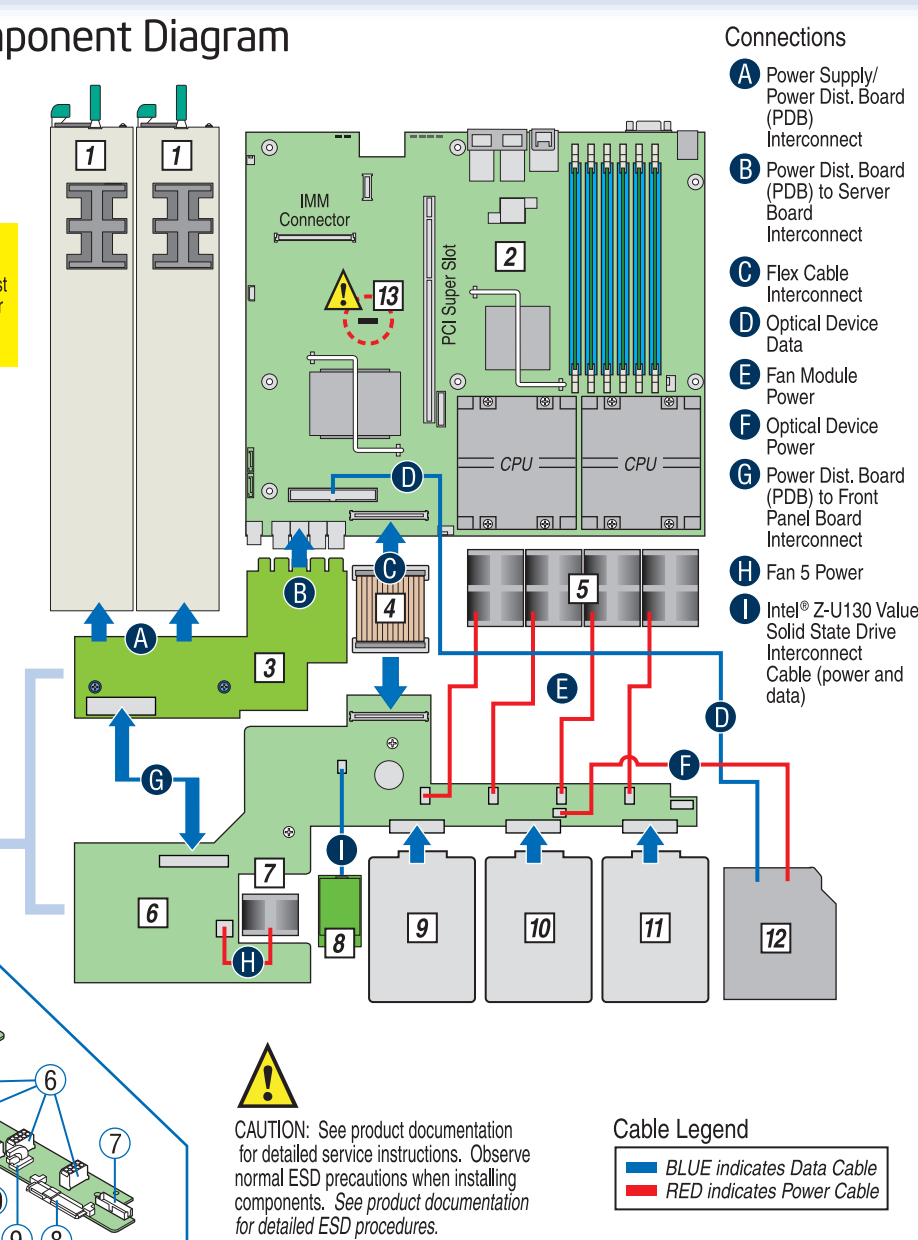
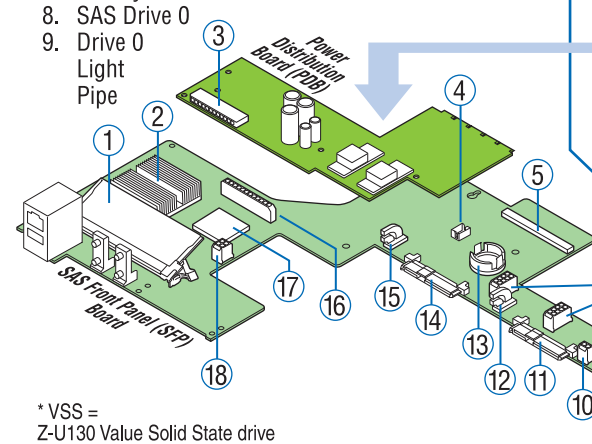
Server System Cabling and Component Diagram

IMPORTANT NOTE: See your Kontron Carrier Grade Server TIGW1U Product Guide for complete cabling and server board component descriptions.

- System Components
- 1 Power Supply Modules
 - 2 Server Board
 - 3 Power Distribution Board
 - 4 Flex Cable
 - 5 Fan Module
 - 6 Front Panel Board
 - 7 PCI Fan
 - 8 Intel Z-U130 Value Solid State Drive
 - 9 SAS HDD 2
 - 10 SAS HDD 1
 - 11 SAS HDD 0
 - 12 Optical Device
 - 13 Processor Jumper

Power Distribution Board (PDB)/ SAS Front Panel (SFP) Board Connector/Component Layout

- RAID DIMM (Optional)
- Intel 80333 with Heat Sink
- Power Interconnect
- VSS Interface Conn.
- SFP Flex Connector
- CPU/DIMM Fan Power
- Intel RAID Smart Battery Connector
- SAS Drive 0
- Drive 0 Light Pipe
- Optical Drive Power
- SAS Drive 1
- Drive 1 Light Pipe
- Hardware RAID Key
- SAS Drive 2
- Drive 2 Light Pipe
- Power Input Connector
- LSI1068
- PCI Fan Power

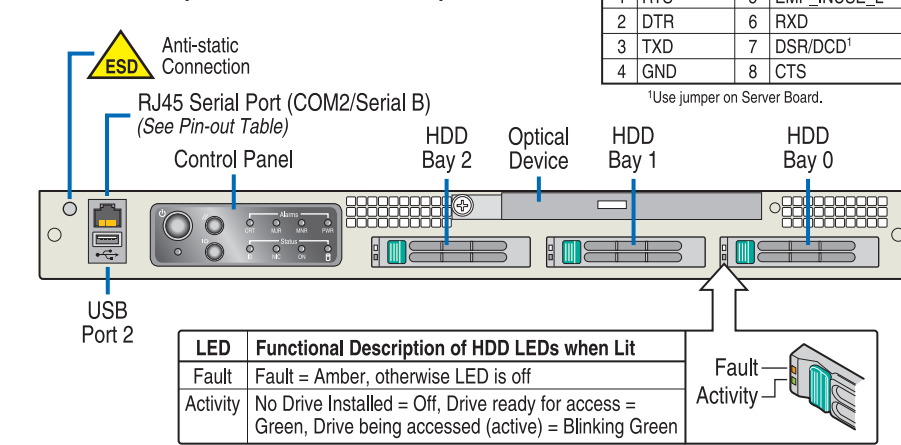


Connections

- A Power Supply/Power Dist. Board (PDB) Interconnect
- B Power Dist. Board (PDB) to Server Board Interconnect
- C Flex Cable Interconnect
- D Optical Device Data
- E Fan Module Power
- F Optical Device Power
- G Power Dist. Board (PDB) to Front Panel Board Interconnect
- H Fan 5 Power
- I Intel Z-U130 Value Solid State Drive Interconnect Cable (power and data)

Cable Legend
BLUE indicates Data Cable
RED indicates Power Cable

Front Panel Controls and Features (Bezel Removed)



Serial Port Connector Pin-out

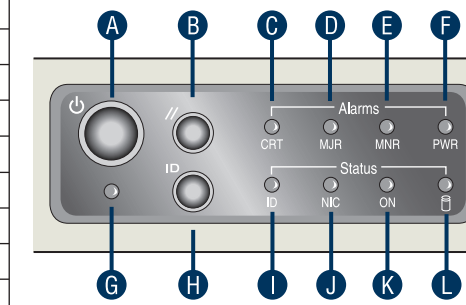
Pin	Description	Pin	Description
1	RTS	5	EMP_INUSE_L
2	DTR	6	RXD
3	TXD	7	DSR/DCD'
4	GND	8	CTS

*Use jumper on Server Board.

LED	Functional Description of HDD LEDs when Lit
Fault	Fault = Amber, otherwise LED is off
Activity	No Drive Installed = Off, Drive ready for access = Green, Drive being accessed (active) = Blinking Green

Control Panel

- A Power Switch
- B Reset Switch
- C Critical Alarm Relay LED (Amber)
- D Major Alarm Relay LED (Amber)
- E Minor Alarm Relay LED (Amber)
- F Power Relay LED (Amber)
- G NMI Switch
- H ID Switch
- I System ID LED (White)
- J NIC Activity LED (Green)
- K Main Power LED (Green)
- L Disk Activity (All Hard Drives) (No Drive Activity = Off, Activity = Blinking Green, Fault = Amber with no green showing at this LED location)



Back Panel Controls and Features

